



FS-6970DN

PARTS LIST

Published in January 2010

842J5121

Rev.1

NOTES

1. Indicate parts number and parts description together with the machine model name when placing an order.

e.g.	Parts Number	Parts Name	Machine Model	Quantity
	302J594020	KEY BOARD ASSY SP	FS-6970DN	1

2. Symbols in the "Parts Number" column.

- Parts with "*" are component parts or sub-assemblies of the assembly appearing immediately above them.

e.g.	Parts Number	Parts Name	Parts Number	Parts Name
	302J094130	COVER LEFT ASSY	• 302J004110	SPONGE A FAN L 80
			• 302J004120	SPONGE B FAN L 80

- Parts with "⊙" indicate regular maintenance parts.

3. Items indicated in Description column as (OPTION) are Consumable parts.

— CONTENTS —

FIG. 1	Covers	2
FIG. 2	Frames 1	4
FIG. 3	Frames 2	6
FIG. 4	Paper Cassette	8
FIG. 5	Paper Feed Section 1	10
FIG. 6	Paper Feed Section 2	12
FIG. 7	Paper Feed Section 3	14
FIG. 8	Paper Feed Section 4	16
FIG. 9	Image Formation Section	18
FIG. 10	Developing Section	20
FIG. 11	Fuser Section 1	22
FIG. 12	Fuser Section 2	24
FIG. 13	Drive Section	26
FIG. 14	Exit Section	28
FIG. 15	Electrical Components	30
FIG. 16	PT-430	32
FIG. 17	Maintenance Kits	34
	• INDEX	35

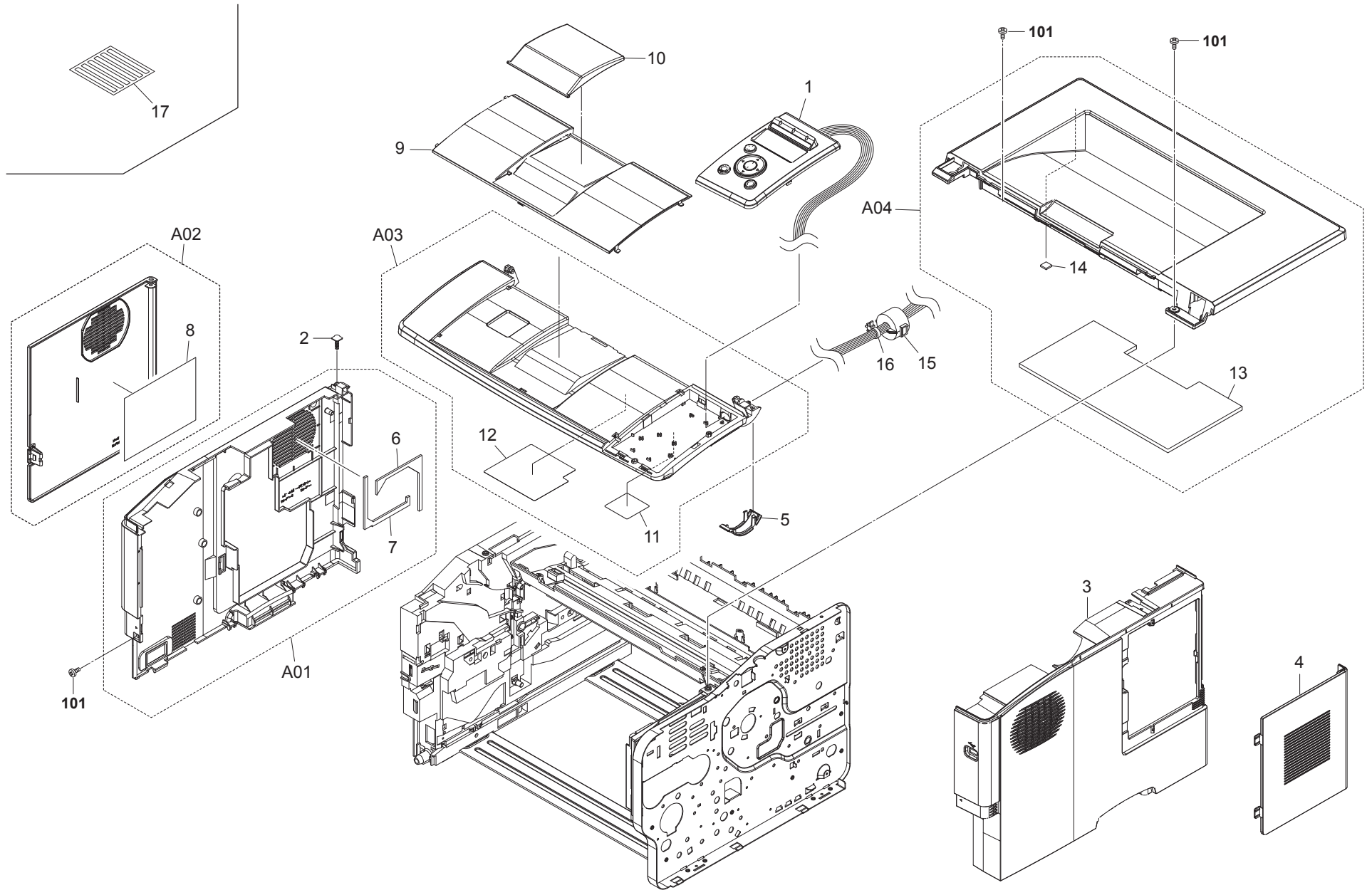


FIG. 1 Covers

2J5-1

Ref. No.	Part.No.	Alternative.	Description	Quantity		
				110	230	240
⊙ 1	302J594080	2J594080	KEY BOARD ASSY(TW) SP	1		
⊙ 1	302J594020	2J594020	KEY BOARD ASSY SP		1	1
2	302F904140	2F904140	HINGE SIDE	1	1	1
⊙ 3	302J004081	2J004081	COVER RIGHT	1	1	1
⊙ 4	302J004090	2J004090	COVER CONTROLLER	1	1	1
⊙ 5	302J004100	2J004100	COVER CABLE	1	1	1
⊙ A01	302J094130	2J094130	COVER LEFT ASSY	1	1	1
6	*302J004110	2J004110	SPONGE A FAN L 80	1	1	1
7	*302J004120	2J004120	SPONGE B FAN L 80	1	1	1
⊙ A02	302J094150	2J094150	COVER SIDE ASSY	1	1	1
8	*302J004130	2J004130	SEAL COVER LEFT	1	1	1
⊙ 9	302J504030	2J504030	LID TOP B	1	1	1
⊙ 10	302J504050	2J504050	STOPPER FD	1	1	1
⊙ A03	302J594100	2J594100	LID TOP ASSY SP(ASIA)	1		
⊙ A03	302J594010	2J594010	LID TOP ASSY SP		1	1
11	*302F934120	2F934120	LABEL INSTALL DLP	1		
11	*302F934100	2F934100	LABEL INSTALL DLP		1	1
12	*302J534010	2J534010	LABEL JAM OPERATION	1	1	1
⊙ A04	302J594040	2J594040	COVER TOP ASSY	1	1	1
13	*302F704050	2F704050	SPONGE TOP TRAY	1	1	1
14	*302F904170	2F904170	SPONGE COVER TOP	1	1	1
15	7YBEJ0J0D001H01	YB045400	FERRITE CORE	1	1	1
16	7YZM420003++H01	YZ052580	ACCESS.BAND	1	1	1
17	302J005140	2J005140	LABEL LED SHEET		1	1

Ref. No.	Part.No.	Alternative.	Description	Quantity		
				110	230	240
101	7BB200410H	BB105700	+BIND T.T P SCREW 4X10			

- Parts with "*" are component parts or sub-assemblies of the assembly appearing immediately above them.
- Parts with "⊙" indicate regular maintenance parts.

- Parts with ".•" are component parts or sub-assembly with ".•" appearing immediately above them.

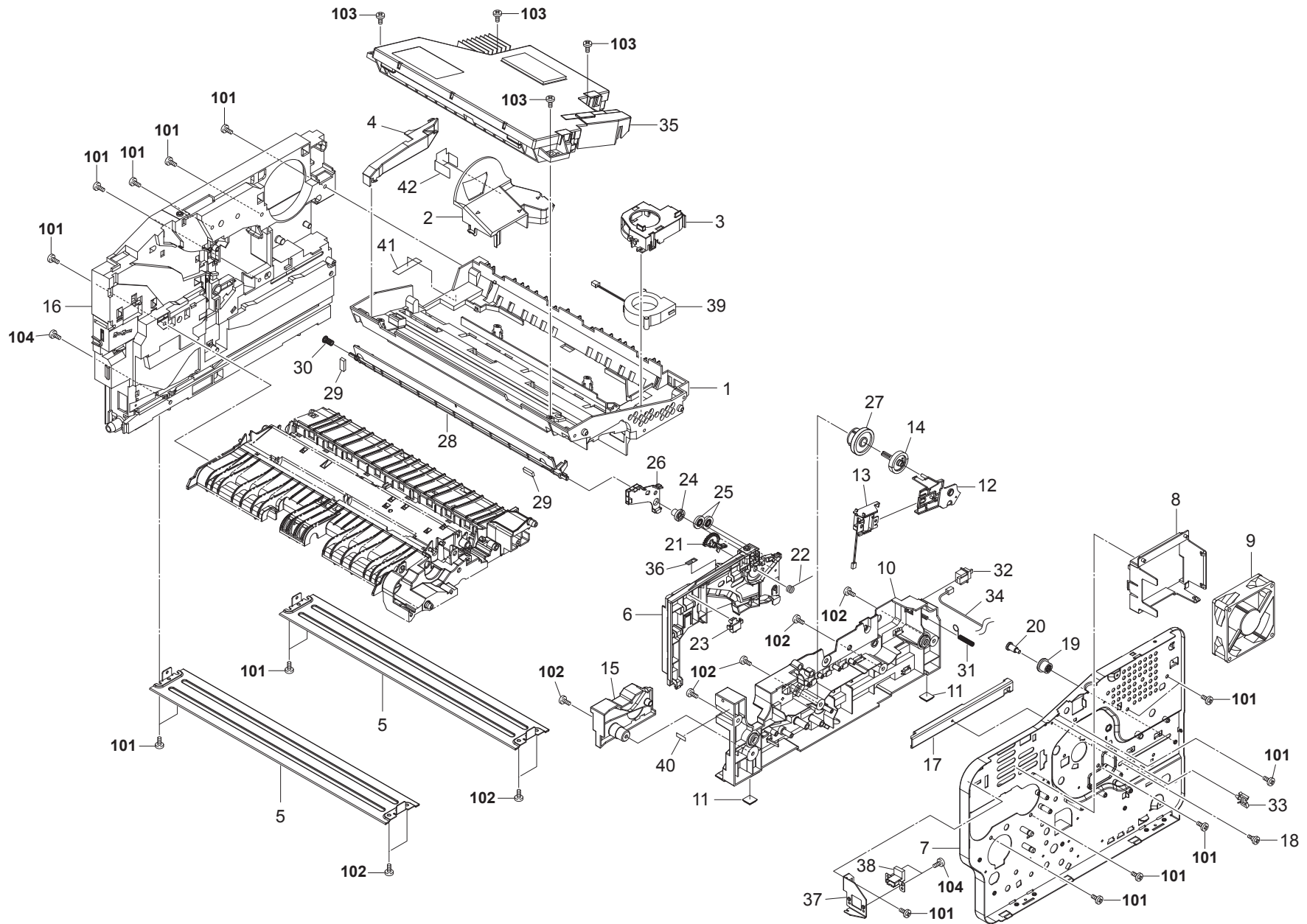


FIG. 2 Frames 1

2J5-1

Ref. No.	Part.No.	Alternative.	Description	Quantity		
				110	230	240
1	302F702010	2F702010	FRAME CENTER	1	1	1
2	302F902220	2F902220	COOLING DUCT LEFT	1	1	1
3	302J502010	2J502010	BRACKET FAN	1	1	1
4	302F902380	2F902380	COOLING DUCT LEFT A	1	1	1
5	302F702020	2F702020	PLATE BOTTOM	2	2	2
6	302F902060	2F902060	GUIDE DLP R	1	1	1
7	302F702080	2F702080	FRAME RIGHT	1	1	1
8	302F902070	2F902070	DUCT RIGHT FRAME	1	1	1
⊙	9	302J044040	FAN R 80	1	1	1
10	302F802010	2F802010	GUIDE CASSETTE	1	1	1
⊙	11	302J002010	FOOT	2	2	2
⊙	12	302F931230	HOLDER DLP CLUTCH	1	1	1
⊙	13	302F944071	SOLENOID DLP	1	1	1
⊙	14	302F931190	GEAR DLP Z31H	1	1	1
15	302F702030	2F702030	COVER GUIDE CASSETTE	1	1	1
16	302F902011	2F902011	FRAME LEFT	1	1	1
⊙	17	302F925460	OUTER RAIL R	1	1	1
18	3CZ02230	3CZ02230	PIN.HOOK FULCRUM	1	1	1
⊙	19	302F925480	PULLEY RAIL DOUBLE	1	1	1
⊙	20	302F925500	PIN PULLEY	1	1	1
⊙	21	302F912320	ARM DRUM SHUTTER	1	1	1
22	302F912360	2F912360	SPRING SHUTTER ARM	1	1	1
⊙	23	302F902420	LOCK COVER TOP R	1	1	1
⊙	24	302F912340	GEAR SHUTTER Z16S	1	1	1
⊙	25	302F912330	GEAR SHUTTER Z18S	2	2	2
⊙	26	302F912350	LID DRUM SHUTTER	1	1	1
⊙	27	302F931600	CLUTCH DLP	1	1	1
⊙	28	302F712120	COVER DRUM SHUTTER	1	1	1
29	2C906260	2C906260	SHEET ABSORBER	2	2	2
30	302F912370	2F912370	SPRING SHUTTER L	1	1	1
31	302F925872	2F925872	SPRING RAIL SW	1	1	1
⊙	32	7SP01000001+H01	SW.PUSH	1	1	1
33	7YZM610021++H01	YZ068620	ACCESS.SADDLE	1	1	1
34	302J046010	2J046010	CONN. CORD ASSY S03448	1	1	1
⊙	35	302J593040	LK-450	1	1	1
36	302FV14500	2FV14500	LABEL GUIDE DLP	1	1	1
37	302J002051	2J002051	BRACKET USB	1	1	1
38	302J046250	2J046250	CONN. CORD ASSY S03497	1	1	1
⊙	39	302J044070	FAN MOTOR	1	1	1
40	302J002100	2J002100	SHEET GUIDE	1	1	1
41	302J502020	2J502020	SHEET FRAME CENTER	1	1	1
42	302J502030	2J502030	SHEET L	1	1	1

Ref. No.	Part.No.	Alternative.	Description	Quantity		
				110	230	240
101	7BB200410H	BB105700	+BIND T.T P SCREW 4X10			
102	7BB100408H1	BB105830	+BIND T.T S SCREW 4X8			
103	7BB200416H1	BB105840	+BIND T.T P SCREW 4X16			
104	7BB100306H1	BB105820	+BIND T.T S SCREW 3X6			

- Parts with "." are component parts or sub-assemblies of the assembly appearing immediately above them.
- Parts with "⊙" indicate regular maintenance parts.

- Parts with ".•" are component parts or sub-assembly with ".•" appearing immediately above them.

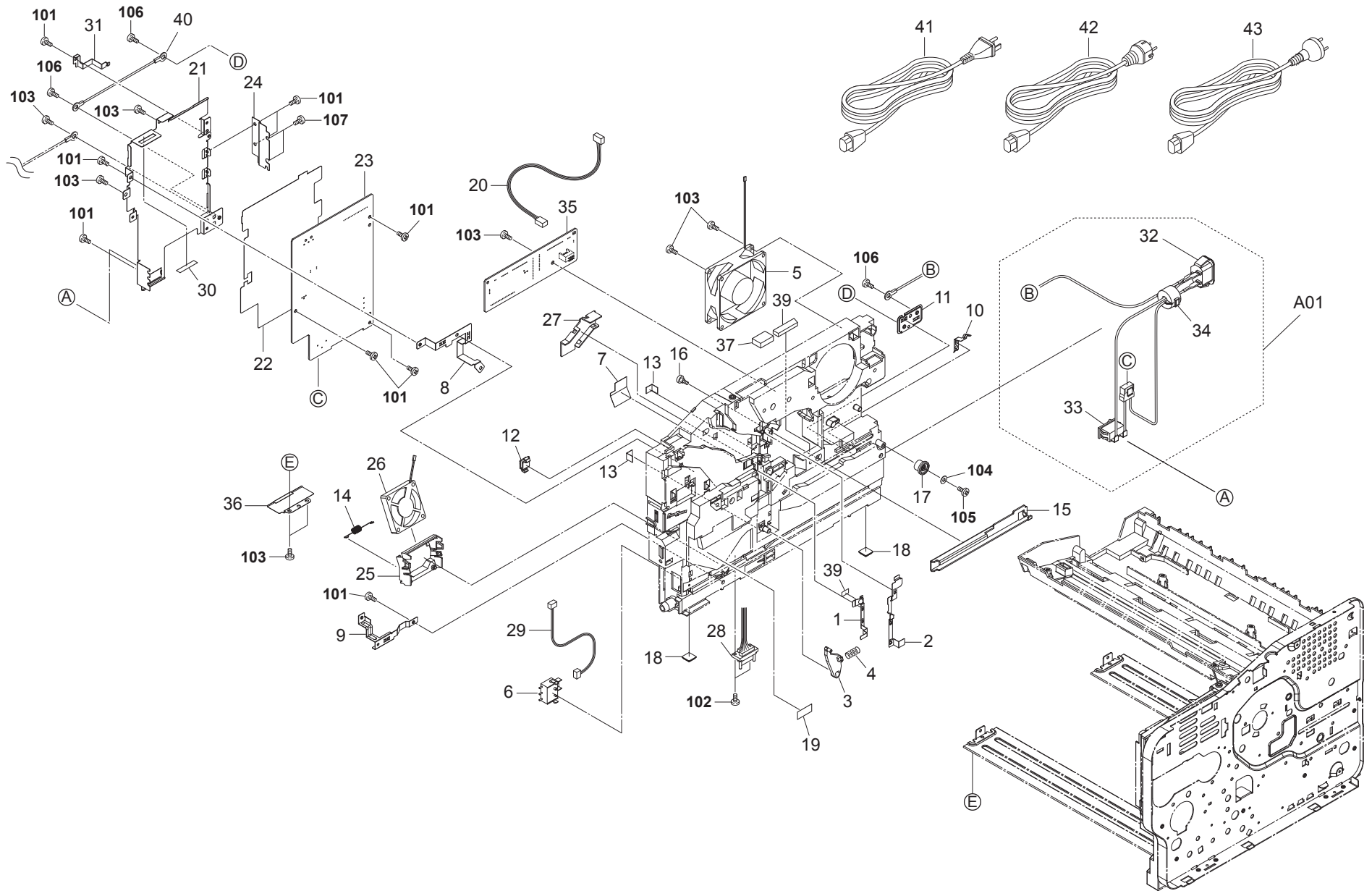


FIG. 3 Frames 2

2J5-1

Ref. No.	Part.No.	Alternative.	Description	Quantity		
				110	230	240
⊙ 1	302F902270	2F902270	CONTACT BIAS	1	1	1
⊙ 2	302F902160	2F902160	CONTACT MAIN	1	1	1
⊙ 3	302F729050	2F729050	LEVER PE RELEASE	1	1	1
4	302F729060	2F729060	SPRING PE RELEASE	1	1	1
⊙ 5	302F944150	2F944150	FAN L 80	1	1	1
⊙ 6	5FSP03090001+01	SP0A0360	PUSH SWITCH 03 SN /SW-192 N	1	1	1
7	302F902340	2F902340	SHEET BIAS	1	1	1
8	302F902321	2F902321	PLATE EARTH FEED	1	1	1
9	302F902280	2F902280	PLATE EARTH BOTTOM	1	1	1
10	302F902390	2F902390	PLATE EARTH RAIL	1	1	1
11	302F902402	2F902402	PLATE EARTH MAIN	1	1	1
⊙ 12	302F902430	2F902430	LOCK COVER TOP L	1	1	1
13	302F902450	2F902450	SHEET WIRE	2	2	2
14	302F902410	2F902410	SPRING EARTH FAN	1	1	1
⊙ 15	302F925470	2F925470	OUTER RAIL L	1	1	1
16	3CZ02230	3CZ02230	PIN,HOOK FULCRUM	1	1	1
⊙ 17	302F925480	2F925480	PULLEY RAIL DOUBLE	1	1	1
⊙ 18	302J002010	2J002010	FOOT	2	2	2
19	5MVVL611WN06	2FV20100	LABEL FUSER CAUTION	1	1	1
20	302F846060	2F846060	CONN.CORD ASSY S03047	1	1	1
21	302F902101	2F902101	PLATE POWER PWB	1	1	1
22	302F902110	2F902110	SHEET POWER PWB	1	1	1
⊙ 23	302G380062	2G380062	SWITCHING REGULATOR (J)	1		
⊙ 23	302F780100	2F780100	SWITCHING REGULATOR (E)		1	1
24	302F902330	2F902330	PLATE HEAT SINK	1	1	1
25	302F902250	2F902250	MOUNT FAN MOTOR	1	1	1
⊙ 26	302F944160	2F944160	FAN POWER PWB 50	1	1	1
27	302F902240	2F902240	COVER WIRE A	1	1	1
28	302J046080	2J046080	CONN. CORD ASSY S03455	1	1	1
29	302J046020	2J046020	CONN. CORD ASSY S03449	1	1	1
30	302F902490	2F902490	SHEET POWER PLATE	1	1	1
31	302F902260	2F902260	PLATE EARTH DRUM	1	1	1
⊙ A01	302J094170	2J094170	PARTS INLET ASSY SP	1	1	1
32	*302J046320	2J046320	CONN. CORD ASSY S03525	1	1	1
33	*302J046340	2J046340	CONN. CORD ASSY S03528	1	1	1
34	*7YBCL0L0A001H01	YB114560	FERRITE CORE	1	1	1
⊙ 35	302J101040	2J101040	P.W.BOARD ASSY CONNECT-L	1	1	1
36	302F902460	2F902460	PLATE FAN MOTOR	1	1	1
37	302J002090	2J002090	SEAL FRAME DRUM B	1	1	1
38	302J002120	2J002120	SEAL FRAME DRUM D	1	1	1
39	302F702050	2F702050	SPACER CONTACT BIAS	1	1	1
40	302F846330	2F846330	CONN.CORD ASSY S03172	1	1	1
41	3065027601	65027601	POWER CORD 110	1		
42	302FV45020	2FV45020	AC CORD ASSY		1	
43	302FV45040	2FV45040	AC CORD ASSY			1

Ref. No.	Part.No.	Alternative.	Description	Quantity		
				110	230	240
101	7BB100306H1	BB105820	+BIND T.T S SCREW 3X6			
102	7BB200312H	BB105680	+BIND T.T P SCREW 3X12			
103	7BB200410H	BB105700	+BIND T.T P SCREW 4X10			
104	C2804100	C2804100	POLYESTER SLIDER WASHER 4.1X10X0.5T			
105	7BB202308H	BB105690	+TP-FLAT T.T P SCREW 3X8			
106	7BB100408H1	BB105830	+BIND T.T S SCREW 4X8			
107	7BB200308H	BB105660	+BIND T.T P SCREW 3X8			

- Parts with "*" are component parts or sub-assemblies of the assembly appearing immediately above them.
- Parts with "⊙" indicate regular maintenance parts.

- Parts with "••" are component parts or sub-assembly with "•" appearing immediately above them.

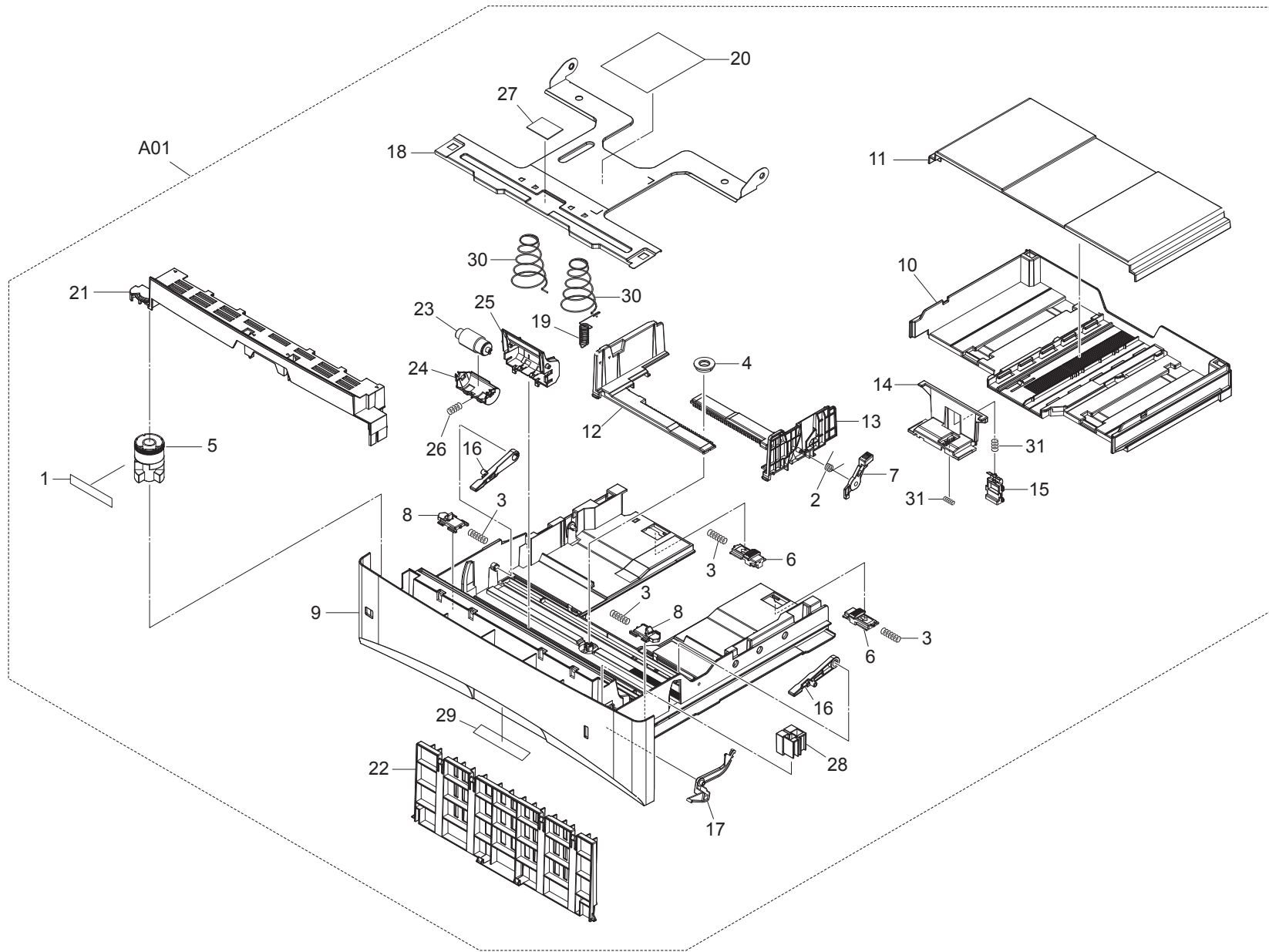


FIG. 4 Paper Cassette

2J5-1

	Ref. No.	Part.No.	Alternative.	Description	Quantity		
					110	230	240
⊙	A01	302F793063	2F793063	CT-440	1	1	1
	1	*2BZ06090	5MVVL721WN65	LABEL DIAL /49845V0043 A4	1	1	1
	2	*2BZ06260	5MMW161LD054	SPRING SIDE GUIDE /49845V0009 A4	1	1	1
	3	*2BZ06270	5MMW251LD054	SPRING LOCK /A-95 5MMW251LD045 A4	4	4	4
	4	*302BM07410	2BM07410	GEAR GUIDE SIDE	1	1	1
	5	*302BZ06420	2BZ06420	DIAL CASSETTE /29845V0022 A2	1	1	1
⊙	6	*302BZ06430	2BZ06430	LOCK CAS BASE	2	2	2
⊙	7	*302BZ06440	2BZ06440	LEVER SIDE GUIDE	1	1	1
⊙	8	*302BZ06450	2BZ06450	LOCK BOTTOM	2	2	2
	9	*302F709011	2F709011	BASE CASSETTE	1	1	1
	10	*302F709020	2F709020	BASE CASSETTE REAR	1	1	1
⊙	11	*302F709030	2F709030	LID CASSETTE	1	1	1
	12	*302F709040	2F709040	CURSOR LEFT	1	1	1
	13	*302F709050	2F709050	CURSOR RIGHT	1	1	1
	14	*302F709070	2F709070	CURSOR END	1	1	1
⊙	15	*302F709080	2F709080	LEVER END CURSOR	1	1	1
⊙	16	*302F709091	2F709091	LEVER BOTTOM LOCK	2	2	2
⊙	17	*302F709122	2F709122	LEVER INDICATOR	1	1	1
	18	*302F709140	2F709140	PLATE BOTTOM	1	1	1
	19	*302F709170	2F709170	SPRING EARTH BOTTOM	1	1	1
	20	*302F709190	2F709190	LABEL OPERATION	1	1	1
	21	*302F709201	2F709201	COVER CASSETTE TOP	1	1	1
	22	*302F709210	2F709210	GUIDE PAPER CASSETTE	1	1	1
⊙	23	*302F909170	2F909170	RETARD ROLLER ASSY	1	1	1
	24	*302F909180	2F909180	HOLDER RETARD	1	1	1
	25	*302F909191	2F909191	GUIDE RETARD	1	1	1
	26	*302F909200	2F909200	SPRING RETARD	1	1	1
⊙	27	*302F909210	2F909210	PAD BOTTOM	1	1	1
	28	*302F909260	2F909260	MARKER INDICATOR	1	1	1
	29	*302F909560	2F909560	SHEET CASSETTE	1	1	1
⊙	30	*302J509020	2J509020	SPRING BOTTOM	2	2	2
	31	*5MMW151SD003	2BS06100	SPRING END /3070P319 A4	2	2	2

- Parts with "*" are component parts or sub-assemblies of the assembly appearing immediately above them.
- Parts with "⊙" indicate regular maintenance parts.

- Parts with "••" are component parts or sub-assembly with "•" appearing immediately above them.

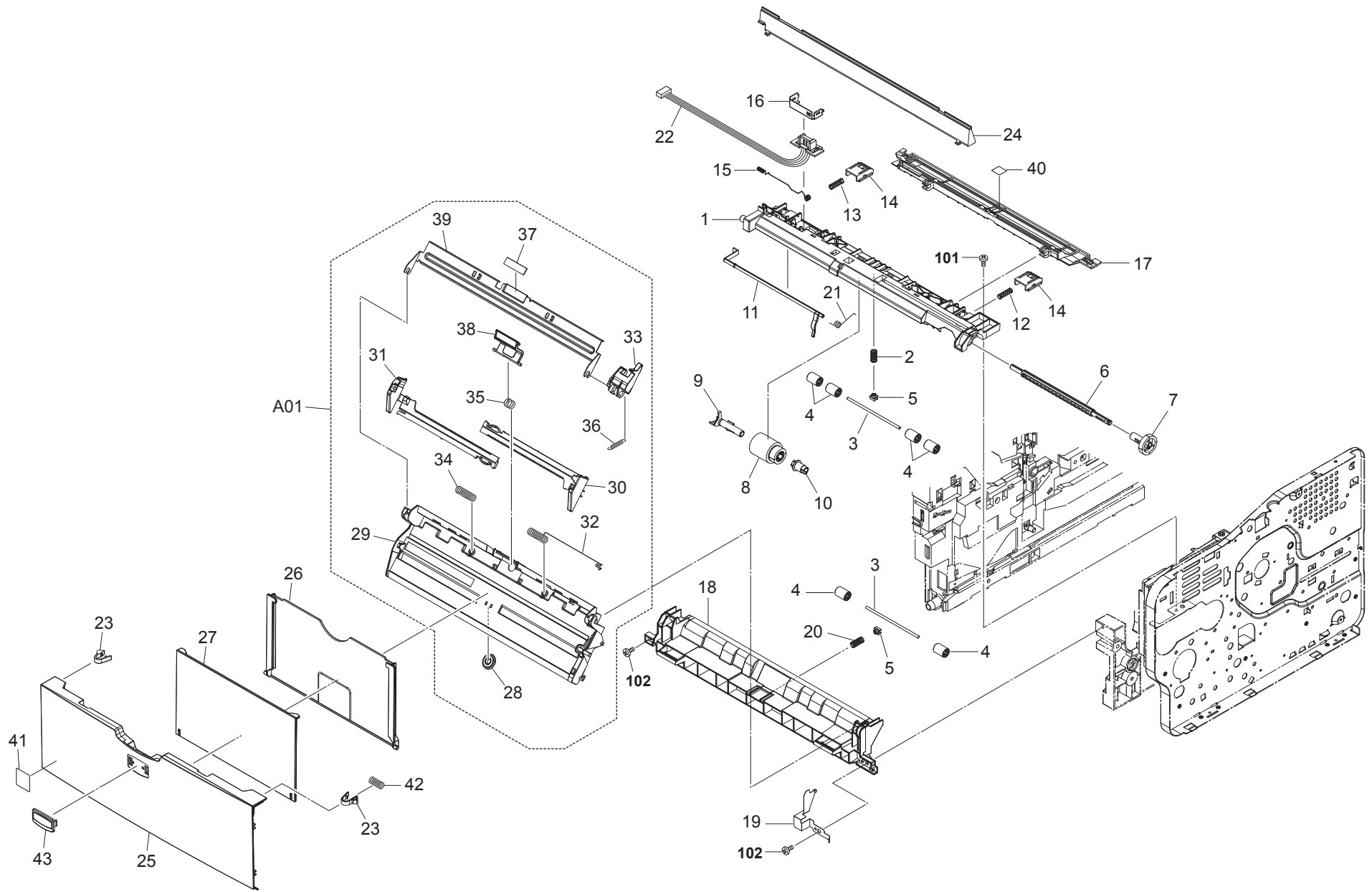


FIG. 5 Paper Feed Section 1

2J5-1

Ref. No.	Part.No.	Alternative.	Description	Quantity		
				110	230	240
1	302F708023	2F708023	FRAME MPF	1	1	1
2	302F908380	2F908380	SP PULLEY FEED	1	1	1
3	302F929060	2F929060	SHAFT FEED DU	2	2	2
⊙ 4	302F929050	2F929050	PULLEY FEED DU	6	6	6
5	5MVX111DN002	3B706590	BUSH SP PULLEY /40283V0099 A4	2	2	2
6	302F708280	2F708280	SHAFT FEED MPF	1	1	1
⊙ 7	302F908130	2F908130	GEAR MPF Z30	1	1	1
⊙ 8	5AAVROLL+051	2CL16130	ROLLER M/P ASSY /43487B0027 A4	1	1	1
9	302BS02680	2BS02680	HOLDER FEED M/P /43487B0026 A4	1	1	1
10	302F708170	2F708170	JOINT FEED MPF	1	1	1
⊙ 11	302F708181	2F708181	ACTUATOR MPF	1	1	1
12	302F908330	2F908330	SPRING LEVER LOCK R	1	1	1
13	302J008050	2J008050	SPRING LEVER LOCK L	1	1	1
⊙ 14	302F908340	2F908340	LOCK DLP	2	2	2
15	302F908230	2F908230	SPRING EARTH CONNECTOR	1	1	1
16	302F908220	2F908220	BKT CONNECTOR	1	1	1
17	302F724211	2F724211	GUIDE REGIST UP	1	1	1
18	302F708010	2F708010	GUIDE TURN MPF	1	1	1
19	302F708260	2F708260	PLATE EARTH BOTTOM	1	1	1
20	302F908150	2F908150	SP PULLEY TURN	1	1	1
21	302F708290	2F708290	SPRING ACTUATOR MPF	1	1	1
22	302J046030	2J046030	CONN. CORD ASSY S03450	1	1	1
⊙ 23	302F908200	2F908200	LOCK COVER	2	2	2
⊙ 24	302F708230	2F708230	COVER FRONT MPF	1	1	1
⊙ 25	302J508010	2J508010	COVER MPF	1	1	1
⊙ 26	302F708040	2F708040	TRAY MPF MID	1	1	1
⊙ 27	302F708050	2F708050	TRAY MPF TOP	1	1	1
⊙ A01 28	302J594050	2J594050	BASE MPF ASSY	1	1	1
28	*302B700780	2B700780	GEAR MANUAL	1	1	1
29	*302F708061	2F708061	BASE MPF	1	1	1
30	*302F708071	2F708071	GUIDE SIDE MPF R	1	1	1
31	*302F708081	2F708081	GUIDE SIDE MPF L	1	1	1
32	*302F708120	2F708120	SPRING BOTTOM MPF R	1	1	1
33	*302F908240	2F908240	BRACKET BOTTOM	1	1	1
34	*302F908270	2F908270	SP BOTTOM MPF L	1	1	1
35	*302F908290	2F908290	SP SEPARATOR MPF	1	1	1
36	*302F908300	2F908300	SPRING LOCK MPF	1	1	1
37	*302F908310	2F908310	PAD FRICTION MPF	1	1	1
⊙ 38	*302F994070	2F994070	SEPARATOR MP ASSY	1	1	1
39	*302J508020	2J508020	PLATE BOTTOM MPF	1	1	1
40	302F924790	2F924790	LABEL OPERATION	1	1	1
⊙ 41	302G634070	2G634070	LABEL ENERGY STAR	1	1	1
42	302F708310	2F708310	SPRING LOCK MPF	1	1	1
⊙ 43	302F994100	2F994100	EMBLEM ASSY	1	1	1

Ref. No.	Part.No.	Alternative.	Description	Quantity		
				110	230	240
101	7BB100408H1	BB105830	+BIND T.T S SCREW 4X8			
102	7BB200410H	BB105700	+BIND T.T P SCREW 4X10			

- Parts with "*" are component parts or sub-assemblies of the assembly appearing immediately above them.
- Parts with "⊙" indicate regular maintenance parts.

- Parts with "••" are component parts or sub-assembly with "•" appearing immediately above them.

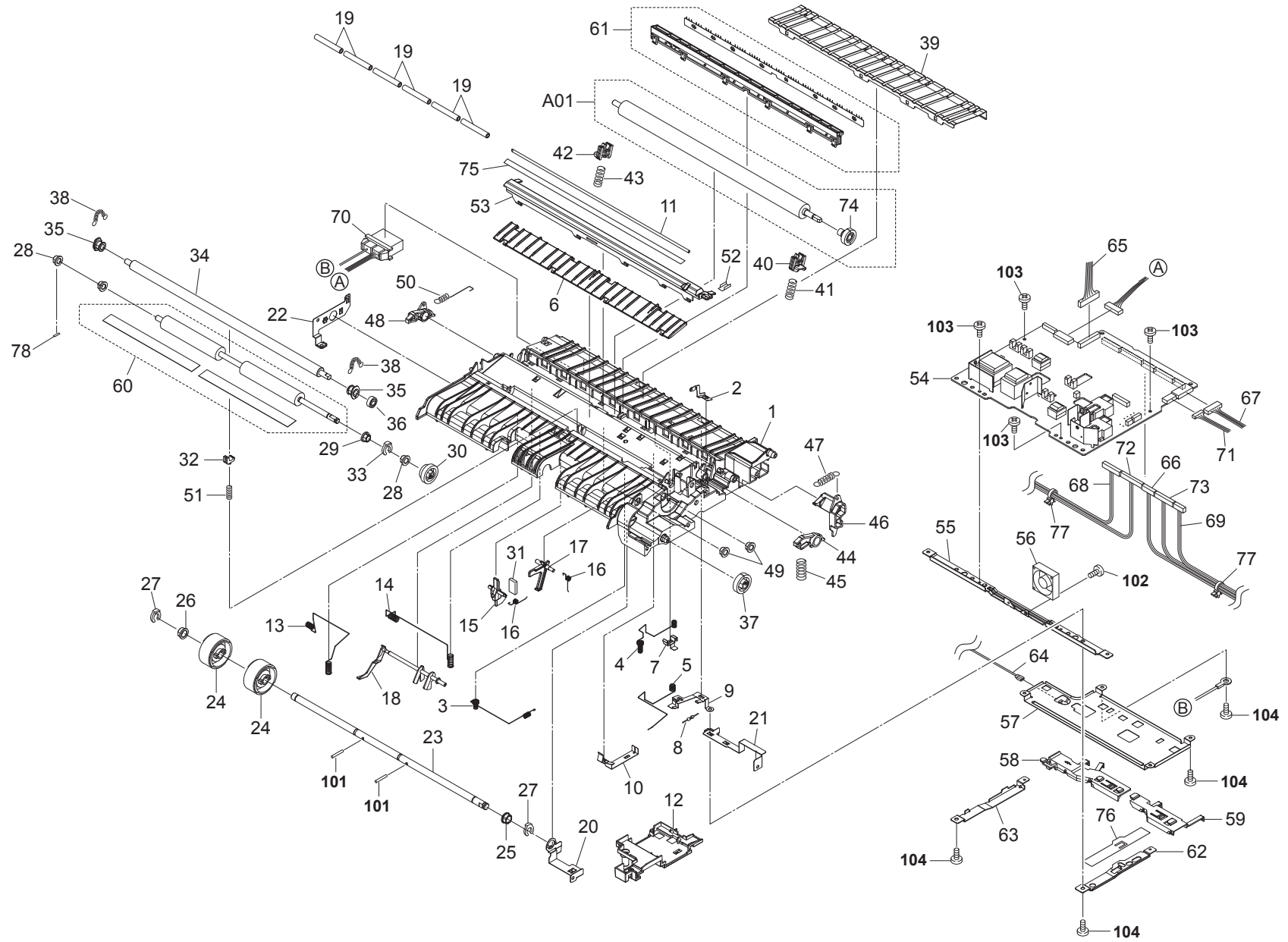


FIG. 6 Paper Feed Section 2

2J5-1

Ref. No.	Part.No.	Alternative.	Description	Quantity		
				110	230	240
1	302F724052	2F724052	FRAME FEED	1	1	1
2	302F924600	2F924600	PLATE TC CHARGE	1	1	1
3	302F724120	2F724120	SPRING TC CHARGE	1	1	1
4	302J024020	2J024020	SPRING SEP CHARGE	1	1	1
5	302F724230	2F724230	SPRING EARTH	1	1	1
6	302F724300	2F724300	GUIDE FEED LOW	1	1	1
7	302F924590	2F924590	PLATE SEP CHARGE	1	1	1
8	7RHA2H10701+H01	RH043740	M.GLAZE R. 100MJ 1/2W	1	1	1
9	302F924580	2F924580	PLATE EARTH M	1	1	1
10	302F924570	2F924570	PLATE HIGH MEG EARTH	1	1	1
11	302F724280	2F724280	SHAFT GUIDE	1	1	1
12	302J524010	2J524010	COVER PWB FEED	1	1	1
13	302F724160	2F724160	SPRING MAIN CHARGE	1	1	1
14	302F724170	2F724170	SPRING BIAS CHARGE	1	1	1
15	302F924150	2F924150	ACTUATOR REGIST	1	1	1
16	302F924270	2F924270	SPRING REGIST SENSOR	2	2	2
17	302F924220	2F924220	ACTUATOR DU	1	1	1
18	302F724090	2F724090	LEVER EMPTY	1	1	1
19	302F924760	2F924760	PULLEY GUIDE	6	6	6
20	302F924660	2F924660	PLATE HV R	1	1	1
21	302F724190	2F724190	PLATE EARTH R	1	1	1
22	302F924651	2F924651	PLATE HV L	1	1	1
23	302F724041	2F724041	SHAFT MID	1	1	1
24	302F924642	2F924642	ROLLER MIDDLE ASSY	2	2	2
25	2BC06510	2BC06510	BUSHING 8	1	1	1
26	302H024830	2H024830	BUSH 8	1	1	1
27	2BC06910	2BC06910	STOPPER 6	2	2	2
28	302H702590	2H702590	BUSH SCREW	2	2	2
29	302H024370	2H024370	BUSH 6 EW	1	1	1
30	302F924700	2F924700	GEAR REG Z26H-Z33H	1	1	1
31	302F924780	2F924780	SPONGE REGIST	1	1	1
32	2FM02180	5MVX221DN020	BUSH REGIST C /B-11 FRAME A3	1	1	1
33	2BC06980	2BC06980	STOPPER 5	1	1	1
34	302F724020	2F724020	ROLLER REGIST UP	1	1	1
35	302F924160	2F924160	BUSH REGIST	2	2	2
36	302F924430	2F924430	GEAR REGIST Z23H	1	1	1
37	302F931430	2F931430	GEAR FEED ROLL Z27H	1	1	1
38	302F924460	2F924460	SPRING REGIST R	2	2	2
39	302F724100	2F724100	GUIDE EARTH	1	1	1
40	302F924190	2F924190	BUSH TRANSFER R	1	1	1
41	302J624010	2J624010	SPRING TC R 10	1	1	1
42	302F924830	2F924830	BUSH TRANSFER L	1	1	1
43	302F924400	2F924400	SPRING TC R	1	1	1
44	302F924490	2F924490	LEVER RELEASE DLP R	1	1	1
45	302J624030	2J624030	SPRING RELEASE DLP	1	1	1
46	302F924240	2F924240	LEVER RELEASE FUSER R	1	1	1
47	302J624040	2J624040	SPRING RELEASE FUSER	1	1	1
48	302F924480	2F924480	LEVER RELEASE DLP L	1	1	1
49	302F931490	2F931490	BUSH FEED DRIVE	2	2	2
50	302F924520	2F924520	SP RELEASE TC L	1	1	1

- Parts with "*" are component parts or sub-assemblies of the assembly appearing immediately above them.
- Parts with "⊙" indicate regular maintenance parts.

Ref. No.	Part.No.	Alternative.	Description	Quantity		
				110	230	240
51	302F724260	2F724260	SPRING REGIST C	1	1	1
52	302F924720	2F924720	SHEET INSULATOR	1	1	1
53	302F724072	2F724072	GUIDE PAPER CHUTE	1	1	1
54	302J580010	2J580010	P.W.B ASSY ENGINE WITH SOFTWARE (SP)	1	1	1
55	302F724180	2F724180	PLATE HV	1	1	1
56	302J044030	2J044030	FAN ENGINE PWB 35	1	1	1
57	302F924470	2F924470	PLATE ENGINE	1	1	1
58	302F924500	2F924500	GUIDE CABLE L	1	1	1
59	302F924510	2F924510	GUIDE CABLE R	1	1	1
60	302F794060	2F794060	REGIST KIT	1	1	1
61	302F794050	2F794050	DC BRUSH ASSY	1	1	1
62	302F924741	2F924741	PLATE EARTH ENGINE R	1	1	1
63	302F924730	2F924730	PLATE EARTH ENGINE L	1	1	1
64	302F746160	2F746160	CONN.CORD ASSY S03123	1	1	1
65	302J546020	2J546020	CONN. CORD ASSY S03483	1	1	1
66	302J546040	2J546040	CONN. CORD ASSY S03485	1	1	1
67	302F746060	2F746060	CONN.CORD ASSY S03086	1	1	1
68	302J546030	2J546030	CONN. CORD ASSY S03484	1	1	1
69	302F746050	2F746050	CONN.CORD ASSY S03085	1	1	1
70	302J546150	2J546150	CONN. CORD ASSY S03530	1	1	1
71	302J546060	2J546060	CONN. CORD ASSY S03487	1	1	1
72	302F746090	2F746090	CONN.CORD ASSY S03090	1	1	1
73	302J546050	2J546050	CONN. CORD ASSY S03486	1	1	1
A01	302F794120	2F794120	ROLLER TRANSFER ASSY SP	1	1	1
74	*302F724150	2F724150	GEAR TC Z21H	1	1	1
75	302F724310	2F724310	SHEET TC GUIDE	1	1	1
76	302J024070	2J024070	SHEET PLATE EARTH R	1	1	1
77	7YZM420003++H01	YZ052580	ACCESS.BAND	2	2	2
78	302J524060	2J524060	SHEET REG BUSH	1	1	1
101	5MBP2012WPLD	E5120120	PARALLEL PIN / M2 X 12 SUS-DP			
102	7BB100314H	BB112130	+BIND T.T S SCREW 3X14			
103	7BB100306H1	BB105820	+BIND T.T S SCREW 3X6			
104	7BB200410H	BB105700	+BIND T.T P SCREW 4X10			

- Parts with "••" are component parts or sub-assembly with "•" appearing immediately above them.

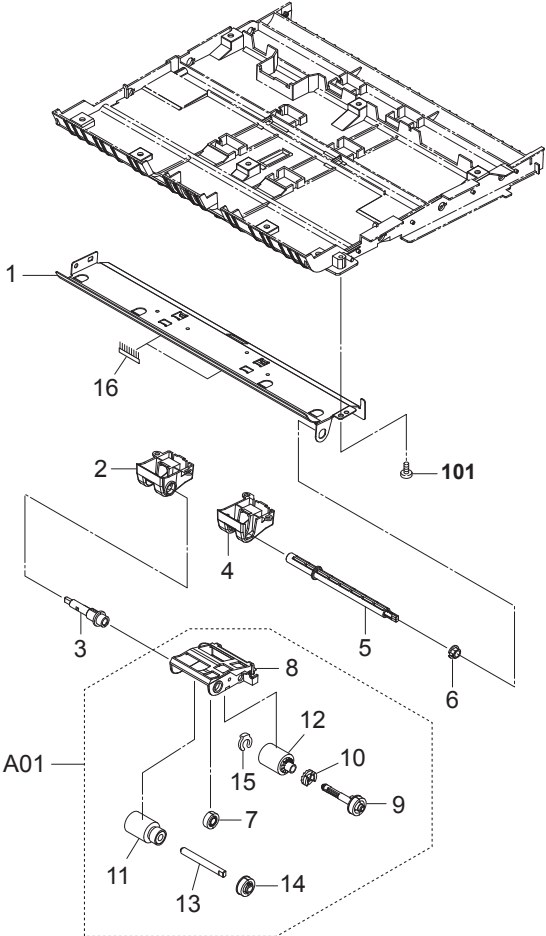


FIG. 7 Paper Feed Section 3

2J5-1

Ref. No.	Part.No.	Alternative.	Description	Quantity		
				110	230	240
1	302F706011	2F706011	GUIDE FEED UP	1	1	1
2	302F906190	2F906190	GUIDE FEED L	1	1	1
3	302F906110	2F906110	PIN FEED ROLL	1	1	1
4	302F906200	2F906200	GUIDE FEED R	1	1	1
5	302F706050	2F706050	SHAFT FEED R	1	1	1
6	2BG22960	2BG22960	BUSH 6	1	1	1
⊙ A01	302F894042	2F894042	FEED HOLDER ASSY	1	1	1
7	*302F906030	2F906030	GEAR FEED Z26H	1	1	1
8	*302F906060	2F906060	HOLDER FEED	1	1	1
9	*302F906170	2F906170	JOINT PICKUP A	1	1	1
10	*302F906180	2F906180	JOINT PICKUP B	1	1	1
11	*302F906230	2F906230	PULLEY FEED ASSY	1	1	1
12	*302F906240	2F906240	PULLEY PICKUP ASSY	1	1	1
13	*302F906272	2F906272	SHAFT FEED L	1	1	1
14	*302F906280	2F906280	GEAR FEED Z30H	1	1	1
15	*5MVX111DN003	2A806250	RING STOPPER /A-49 FEED A4	1	1	1
16	302HN28210	2HN28210	DISCHARGER FD	2	2	2

Ref. No.	Part.No.	Alternative.	Description	Quantity		
				110	230	240
101	7BB200410H	BB105700	+BIND T.T P SCREW 4X10			

- Parts with "*" are component parts or sub-assemblies of the assembly appearing immediately above them.
- Parts with "⊙" indicate regular maintenance parts.

- Parts with "*•" are component parts or sub-assembly with "*" appearing immediately above them.

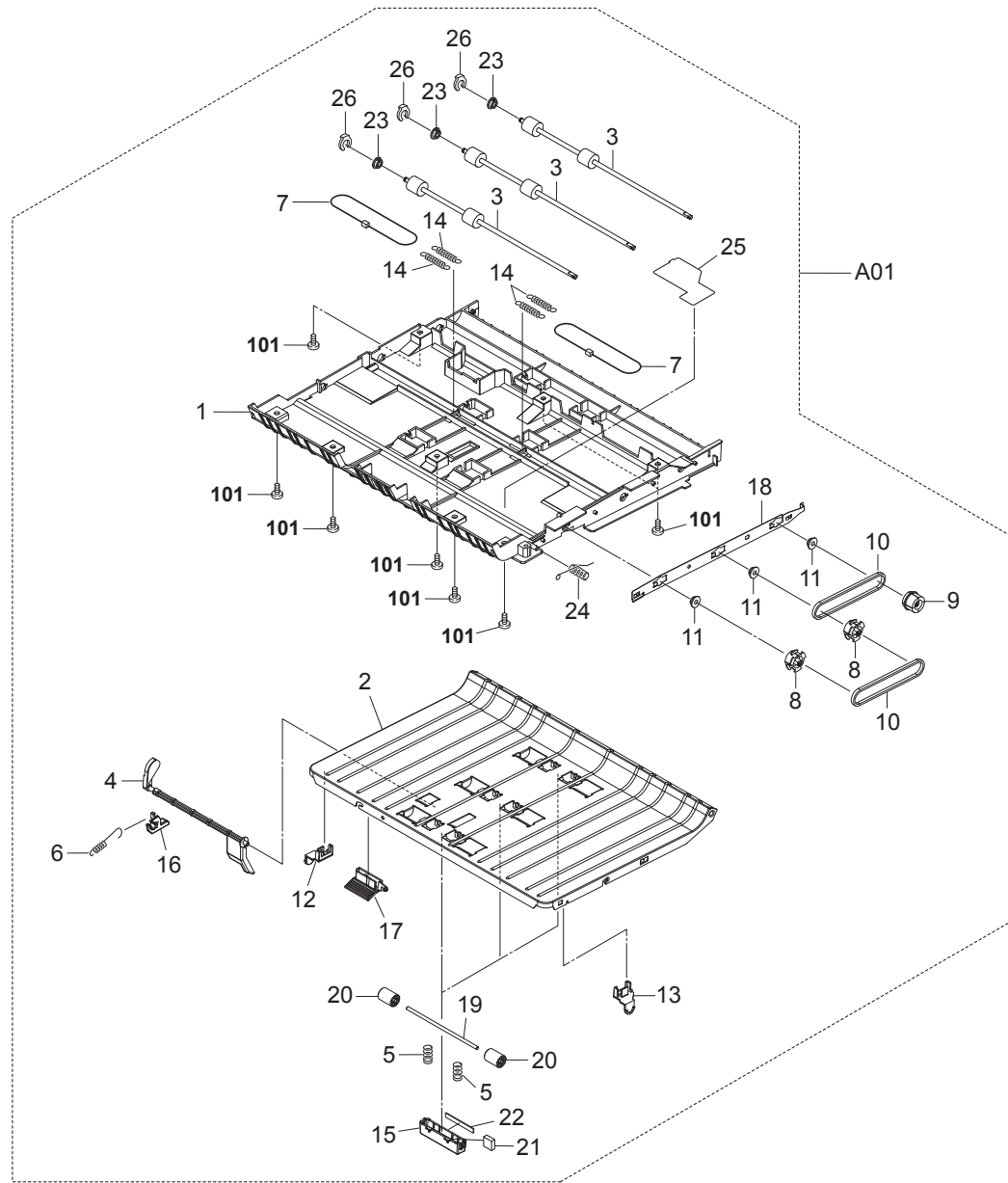


FIG. 8 Paper Feed Section 4

2J5-1

Ref. No.	Part.No.	Alternative.	Description	Quantity		
				110	230	240
⊙ A01	302J594060	2J594060	DU ASSY SP	1	1	1
1	*302F729011	2F729011	BASE DU	1	1	1
2	*302F729021	2F729021	GUIDE DU LOW	1	1	1
⊙ 3	*302F729030	2F729030	ROLLER DU	3	3	3
⊙ 4	*302F729040	2F729040	ACTUATOR PE	1	1	1
5	*302F929070	2F929070	SPRING PULLEY FEED	6	6	6
6	*302F929080	2F929080	SPRING PE RELEASE	1	1	1
7	*302F929090	2F929090	WIRE LIFT DU	2	2	2
8	*302F929100	2F929100	PULLEY P25 DU	2	2	2
⊙ 9	*302F929110	2F929110	GEAR Z18S-P25	1	1	1
⊙ 10	*302F929120	2F929120	BELT DU	2	2	2
11	*302F929140	2F929140	BUSH DU	3	3	3
⊙ 12	*302F929151	2F929151	LEVER LIFT DU L	1	1	1
⊙ 13	*302F929160	2F929160	LEVER LIFT DU R	1	1	1
14	*302F929170	2F929170	SPRING DU LIFT	4	4	4
15	*302F929180	2F929180	HOLDER DU PULLEY	3	3	3
16	*302F929191	2F929191	BUSH PE	1	1	1
⊙ 17	*302F929200	2F929200	LEVER DU RELEASE	1	1	1
18	*302F929220	2F929220	PLATE EARTH DU	1	1	1
19	*302F929250	2F929250	SHAFT DU LOW	3	3	3
20	*302F929260	2F929260	PULLEY DU LOW	6	6	6
21	*302F929270	2F929270	SEAL HOLDER	3	3	3
22	*302F929280	2F929280	SEAL HOLDER B	3	3	3
23	*302HS25220	2HS25220	BUSH FUSER	3	3	3
24	*302J029020	2J029020	SPRING EARTH DU	1	1	1
25	*302J529020	2J529020	SHEET DU ROLL	1	1	1
26	*5MVX111DN007	2BT11070	STOPPER 3 /2BT1107 A4	3	3	3

Ref. No.	Part.No.	Alternative.	Description	Quantity		
				110	230	240
101	7BB200410H	BB105700	+BIND T.T P SCREW 4X10			

- Parts with "*" are component parts or sub-assemblies of the assembly appearing immediately above them.
- Parts with "⊙" indicate regular maintenance parts.

- Parts with "••" are component parts or sub-assembly with "•" appearing immediately above them.

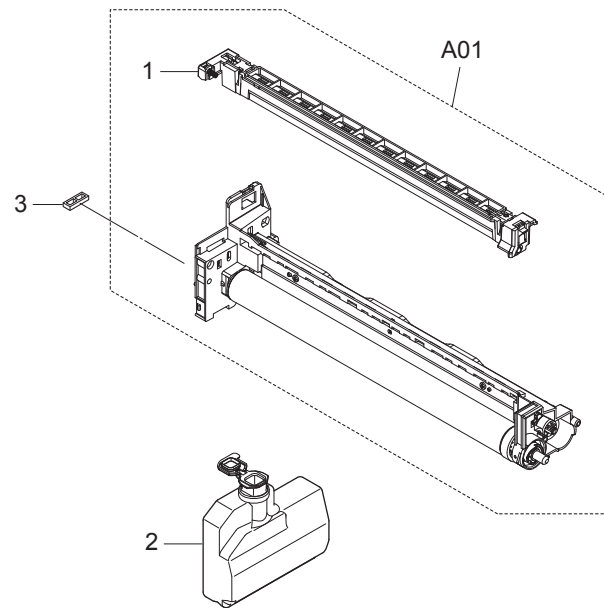


FIG. 9 Image Formation Section

2J5-1

	Ref. No.	Part.No.	Alternative.	Description	Quantity		
					110	230	240
⊙	A01	302J593011	2J593011	DK-450	1	1	1
⊙	1	•302J593061	2J593061	MC-450	1	1	1
⊙	2	302F994091	2F994091	WASTE BOTTLE ASSY	1	1	1
	3	302F902500	2F902500	SPACER LOCK DRUM	1	1	1

- Parts with "•" are component parts or sub-assemblies of the assembly appearing immediately above them.
- Parts with "⊙" indicate regular maintenance parts.

- Parts with "••" are component parts or sub-assembly with "•" appearing immediately above them.

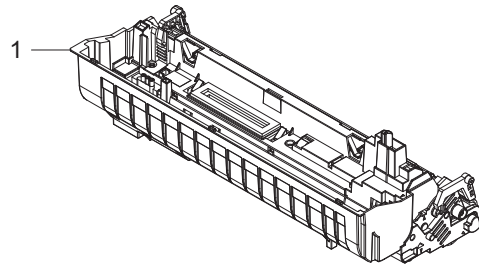


FIG. 10 Developing Section

2J5-1

	Ref. No.	Part.No.	Alternative.	Description	Quantity		
					110	230	240
⊙	1	302J593020	2J593020	DV-450 (E)		1	
⊙	1	302J593030	2J593030	DV-454 (AO)	1		1

- Parts with "•" are component parts or sub-assemblies of the assembly appearing immediately above them.
- Parts with "⊙" indicate regular maintenance parts.

- Parts with "••" are component parts or sub-assembly with "•" appearing immediately above them.

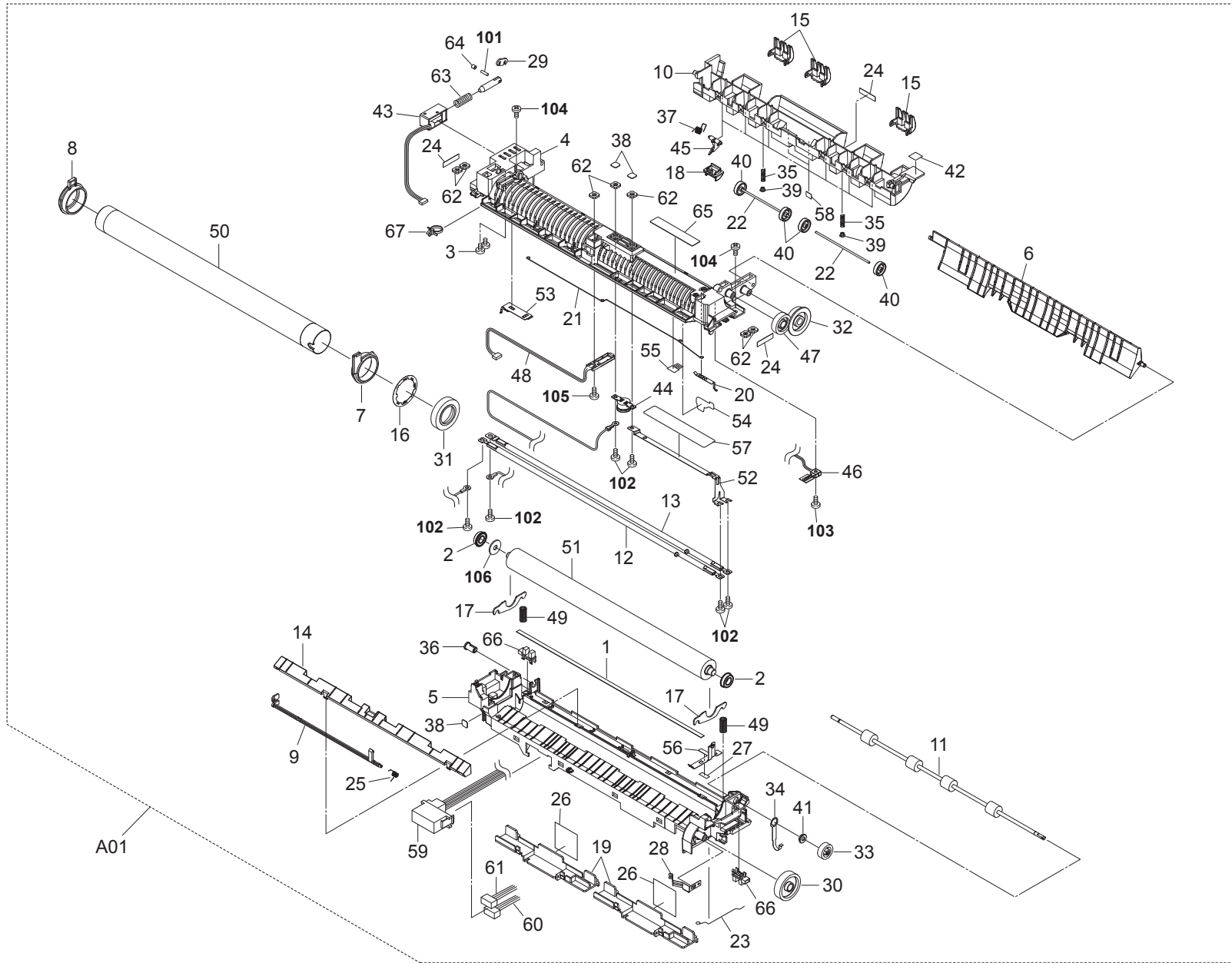


FIG. 11 Fuser Section 1

2J5-1

Ref. No.	Part.No.	Alternative.	Description	Quantity		
				110	230	240
⊙ A01	302J593050	2J593050	FK-450(E)		1	1
⊙ A01	302J593090	2J593090	FK-450(TW)	1		
1	*2C920320	2C920320	SEAL DISCHAGER	1	1	1
⊙ 2	*2C920330	2C920330	BEARING PRESSURE	2	2	2
3	*302F325010	2F325010	STUD SCREW M3	2	2	2
4	*302F725016	2F725016	FRAME FUSER UP	1	1	1
5	*302F725023	2F725023	FRAME FUSER LOW	1	1	1
6	*302F725043	2F725043	GUIDE FACE UP	1	1	1
7	*302F725070	2F725070	BUSH HEAT R	1	1	1
8	*302F725080	2F725080	BUSH HEAT L	1	1	1
⊙ 9	*302F725091	2F725091	ACTUATOR EXIT	1	1	1
10	*302F725114	2F725114	GUIDE EXIT UP	1	1	1
⊙ 11	*302F725161	2F725161	ROLLER EXIT	1	1	1
⊙ 12	*302F725550	2F725550	HEATER LARGE 110V	1		
⊙ 12	*302F725200	2F725200	HEATER LARGE E		1	1
⊙ 13	*302F725560	2F725560	HEATER SMALL 110V	1		
⊙ 13	*302F725230	2F725230	HEATER SMALL E		1	1
14	*302F725271	2F725271	GUIDE EXIT LOW	1	1	1
15	*302F725312	2F725312	GUIDE FEED DU	3	3	3
16	*302F725330	2F725330	GRAND PLATE HEAT ROLLER	1	1	1
17	*302F725380	2F725380	PLATE PRESS	2	2	2
18	*302F725401	2F725401	CAP SEPARATOR	6	6	6
19	*302F725422	2F725422	COVER CORD	2	2	2
20	*302F725460	2F725460	PLATE SPRING FUSER	1	1	1
21	*302F725470	2F725470	SPRING EARTH FUSER	1	1	1
22	*302F725480	2F725480	SHAFT EXIT	2	2	2
23	*302F725490	2F725490	SPRING EARTH	1	1	1
24	*302F725500	2F725500	SHEET FUSER HEATER	3	3	3
25	*302F725510	2F725510	SPRING ACTUATOR EXIT	1	1	1
26	*302F725580	2F725580	SHEET COVER CORD	2	2	2
27	*302F725590	2F725590	SHEET PRESS	1	1	1
28	*302F825080	2F825080	PLATE EARTH FUSER	1	1	1
⊙ 29	*302F925060	2F925060	ACTUATOR SOL	1	1	1
⊙ 30	*302F925090	2F925090	GEAR INPUT	1	1	1
⊙ 31	*302F925100	2F925100	GEAR HEAT Z46	1	1	1
⊙ 32	*302F925130	2F925130	GEAR IDLE Z36	1	1	1
⊙ 33	*302F925141	2F925141	GEAR EXIT Z21	1	1	1
34	*302F925250	2F925250	PLATE EARTH EXIT	1	1	1
35	*302F925340	2F925340	SPRING EXIT	2	2	2
36	*302F925570	2F925570	BUSH EXIT	1	1	1
37	*302F925800	2F925800	SPRING SEPARATOR	6	6	6
38	*302F925830	2F925830	SHEET FUSER A	3	3	3
39	*302F925901	2F925901	CAP SPRING EXIT	2	2	2
⊙ 40	*302F926070	2F926070	PULLEY EXIT PFA	4	4	4
41	*302F929140	2F929140	BUSH DU	1	1	1
42	*302F934020	2F934020	LABEL FUSER OPERATION	1	1	1
⊙ 43	*302F944090	2F944090	SOLENOID ASSY	1	1	1
⊙ 44	*302FP25110	2FP25110	THERMOSTAT 250V 170C	1	1	1
⊙ 45	*302FT20120	2FT20120	SEPARATOR ASSY	6	6	6
⊙ 46	*302GJ25560	2GJ25560	THERMISTOR FUSER	1	1	1

- Parts with "*" are component parts or sub-assemblies of the assembly appearing immediately above them.
- Parts with "⊙" indicate regular maintenance parts.

Ref. No.	Part.No.	Alternative.	Description	Quantity		
				110	230	240
⊙ 47	*302HS25250	2HS25250	GEAR Z29S FUSER	1	1	1
⊙ 48	*302J125020	2J125020	THERMISTOR ASSY	1	1	1
49	*302J525020	2J525020	SPRING PRESS	2	2	2
⊙ 50	*302J525030	2J525030	ROLLER HEAT	1	1	1
⊙ 51	*302J525040	2J525040	ROLLER PRESS	1	1	1
⊙ 52	*302J525101	2J525101	PLATE CORD	1	1	1
53	*302J525110	2J525110	PLATE BUSH L	1	1	1
54	*302J525120	2J525120	SHEET DISCHARGER	1	1	1
55	*302J525130	2J525130	DISCHARGER FUSER	1	1	1
56	*302J525140	2J525140	PLATE EARTH PRESS	1	1	1
57	*302J525150	2J525150	SHEET PROTECTION A	1	1	1
58	*302J525160	2J525160	SHEET SHAFT FUSER	2	2	2
59	*302J546170	2J546170	CONN. CORD ASSY S03532	1		
59	*302J546120	2J546120	CONN. CORD ASSY S03492		1	1
60	*302J546140	2J546140	CONN. CORD ASSY S03496	1	1	1
61	*302J546160	2J546160	CONN. CORD ASSY S03531	1	1	1
62	*5MMS111SL002	2BY20050	NUT FUSER A /FS-1800/3800 A4	7	7	7
63	*5MMW261LJ032	2BM21060	SPRING SOL /Q1007 A4	1	1	1
64	*5MVM111RB006	2FM02570	RUBBER PIN B-11	1	1	1
65	*5MVVL611WN06	2FV20100	LABEL FUSER CAUTION	1	1	1
⊙ 66	*7NXTLP1255++H01	NX046610	SENSOR OPT.	2	2	2
67	*M26AH010	M26AH010	BAND,PLT1M-76(PANDUIT)	1	1	1
101	5MBP2518WXSP	E0025180	SPRING PIN / M2.5 X 18 S-BLK			
102	7BB007304H	BB105810	+TP-CUP M SCREW 3X4			
103	7BB200312H	BB105680	+BIND T.T P SCREW 3X12			
104	7BB200410H	BB105700	+BIND T.T P SCREW 4X10			
105	7BB600308H1	BB105850	+BIND M SCREW 3X8 R			
106	7BC00081D040H01	BC051580	WASHER M8.1X13.0X0.4T			

- Parts with "••" are component parts or sub-assembly with "•" appearing immediately above them.

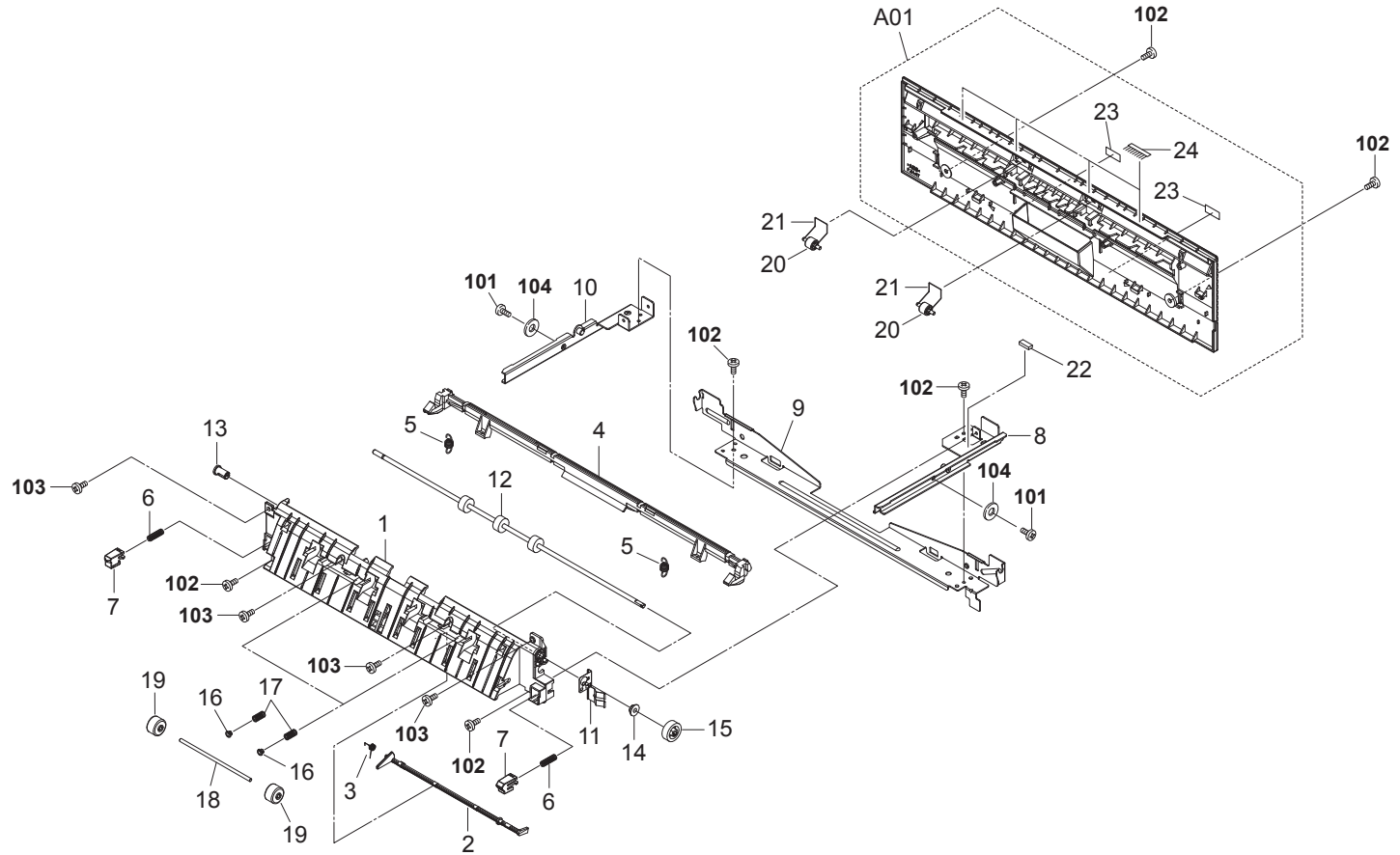


FIG. 12 Fuser Section 2

2J5-1

Ref. No.	Part.No.	Alternative.	Description	Quantity		
				110	230	240
1	302F725031	2F725031	GUIDE DU	1	1	1
⊙ 2	302F725100	2F725100	ACTUATOR DU	1	1	1
3	302F925371	2F925371	SPRING ACTUATOR DU	1	1	1
⊙ 4	302F725341	2F725341	LEVER FUSER RELEASE	1	1	1
5	302F925750	2F925750	SPRING FUSER RELEASE	2	2	2
6	302F925560	2F925560	SPRING LOCK	2	2	2
⊙ 7	302F925550	2F925550	LOCK FUSER	2	2	2
⊙ 8	302F925440	2F925440	INNER RAIL R	1	1	1
9	302F725350	2F725350	PLATE RAIL FIX	1	1	1
⊙ 10	302F925450	2F925450	INNER RAIL L	1	1	1
11	302F925260	2F925260	PLATE EARTH FACE UP	1	1	1
⊙ 12	302F725170	2F725170	ROLLER FACE UP	1	1	1
13	302FV02470	2FV02470	BUSH FD	1	1	1
14	302F929140	2F929140	BUSH DU	1	1	1
⊙ 15	302F925141	2F925141	GEAR EXIT Z21	1	1	1
16	2FM04150	5MVM163DN005	CAP SPRING /B-11 ENCLOSURE A4	4	4	4
17	302F925780	2F925780	SPRING DU	4	4	4
18	302F929060	2F929060	SHAFT FEED DU	2	2	2
19	302F926060	2F926060	PULLEY SWITCH BACK	4	4	4
20	302F925160	2F925160	PULLEY FACE UP	2	2	2
21	302F925350	2F925350	SPRING FACE UP	2	2	2
22	302F914830	2F914830	GASKET DLP	1	1	1
⊙ A01	302J594030	2J594030	COVER REAR ASSY	1	1	1
⊙ A01	302J594130	2J594130	COVER REAR ASSY(TW)	1		
23	*302J034050	2J034050	LABEL PUSH		2	2
23	*302J034170	2J034170	LABEL PUSH(TW)	2		
24	*302HW24040	2HW24040	DISCHARGER FEED	4	4	4

Ref. No.	Part.No.	Alternative.	Description	Quantity		
				110	230	240
101	7BB100304H	BB105580	+BIND T.T S SCREW 3X4			
102	7BB100306H1	BB105820	+BIND T.T S SCREW 3X6			
103	7BB200308H	BB105660	+BIND T.T P SCREW 3X8			
104	5MBWK32808NN	C2803080	POLY SLIDER /M3.2X 8 X0.8T XX			

- Parts with "*" are component parts or sub-assemblies of the assembly appearing immediately above them.
- Parts with "⊙" indicate regular maintenance parts.

- Parts with "••" are component parts or sub-assembly with "•" appearing immediately above them.

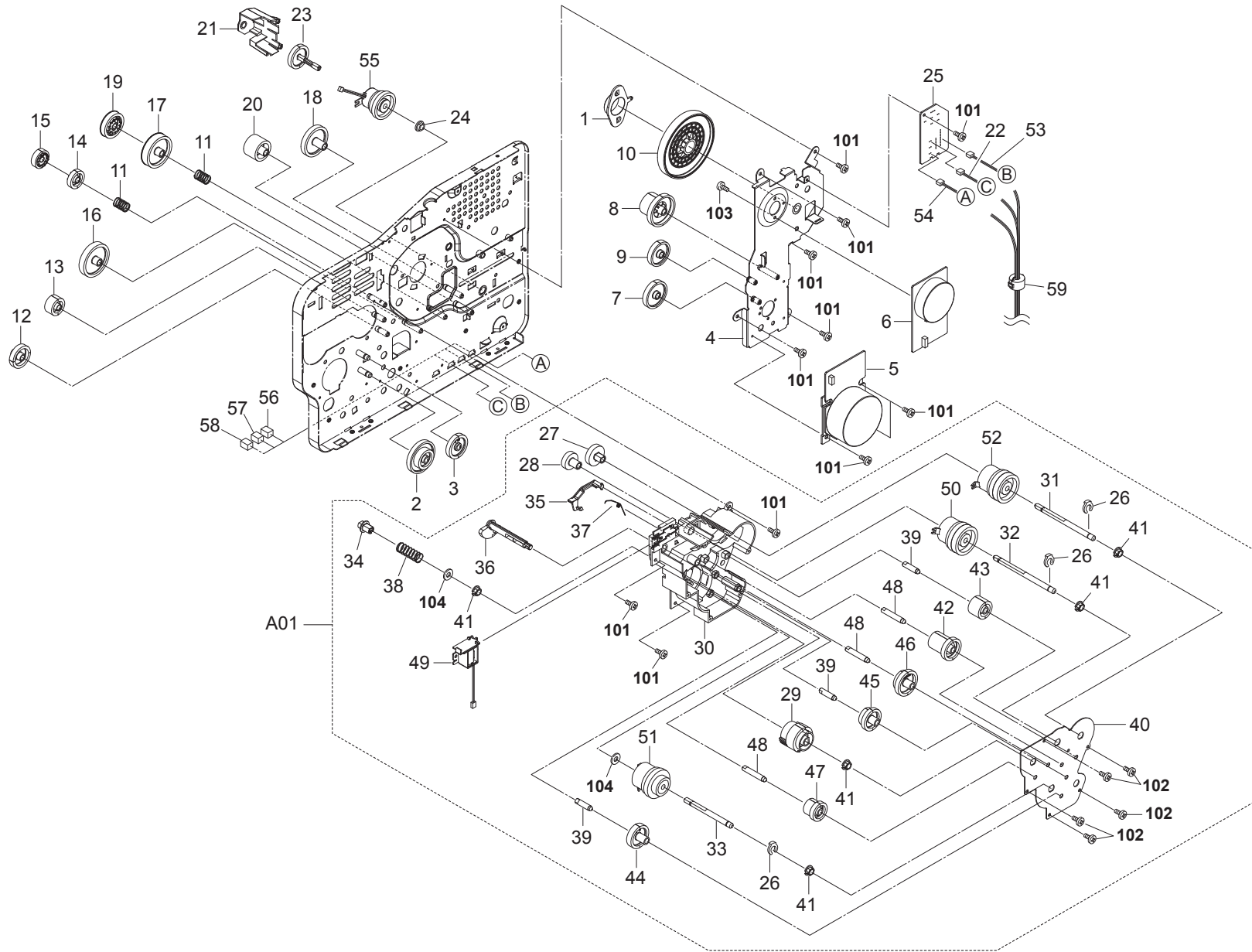


FIG. 13 Drive Section

2J5-1

Ref. No.	Part.No.	Alternative.	Description	Quantity		
				110	230	240
1	302F831060	2F831060	BUSH DRUM	1	1	1
2	302F931110	2F931110	GEAR Z95H Z28H	1	1	1
3	302F931500	2F931500	GEAR FEED Z34H	1	1	1
4	302J531010	2J531010	PLATE DRIVE E	1	1	1
5	302J531020	2J531020	MOTOR MAIN Z11	1	1	1
6	302J531030	2J531030	MOTOR DRUM Z11	1	1	1
7	302F931020	2F931020	GEAR Z77H	1	1	1
8	302F931040	2F931040	GEAR Z90H Z30H	1	1	1
9	302F931030	2F931030	GEAR Z70H	1	1	1
10	302F931590	2F931590	GEAR Z191H	1	1	1
11	302F931270	2F931270	SPRING FUSER	2	2	2
12	302F931200	2F931200	GEAR DLP Z32H	1	1	1
13	302F931290	2F931290	GEAR DLP Z24H	1	1	1
14	302F931300	2F931300	GEAR DLP JOINT Z25H	1	1	1
15	302F931310	2F931310	GEAR DLP Z25H	1	1	1
16	302F931050	2F931050	GEAR Z48H	1	1	1
17	302F931060	2F931060	GEAR Z46H	1	1	1
18	302F931080	2F931080	GEAR Z45S	1	1	1
19	302F931070	2F931070	GEAR Z37S	1	1	1
20	302F931090	2F931090	GEAR Z30S	1	1	1
21	302F931320	2F931320	HOLDER DU	1	1	1
22	302J046120	2J046120	CONN. CORD ASSY S03459	1	1	1
23	302F931100	2F931100	GEAR Z34S	1	1	1
24	302F931490	2F931490	BUSH FEED DRIVE	1	1	1
25	302J501060	2J501060	P.W.BOARD ASSY CONNECT-R	1	1	1
A01	302F994031	2F994031	FEED DRIVE ASSY SP	1	1	1
26	*2BC06980	2BC06980	STOPPER 5	3	3	3
27	*302F931130	2F931130	GEAR REGIST Z28H	1	1	1
28	*302F931160	2F931160	GEAR FEED CLUTCH Z23H	1	1	1
29	*302F931180	2F931180	GEAR MPF Z37S	1	1	1
30	*302F931221	2F931221	HOUSING FEED DRIVE B	1	1	1
31	*302F931251	2F931251	SHAFT REGIST	1	1	1
32	*302F931261	2F931261	SHAFT MID FEED	1	1	1
33	*302F931340	2F931340	SHAFT CASSETTE	1	1	1
34	*302F931350	2F931350	JOINT SHAFT CASSETTE	1	1	1
35	*302F931360	2F931360	LEVER MPF LIFT	1	1	1
36	*302F931371	2F931371	CAM MPF LIFT	1	1	1
37	*302F931381	2F931381	SPRING MPF CAM	1	1	1
38	*302F931450	2F931450	SPRING FEED	1	1	1
39	*302F931460	2F931460	PIN IDLE FEED	3	3	3
40	*302F931480	2F931480	PLATE FEED DRIVE	1	1	1
41	*302F931490	2F931490	BUSH FEED DRIVE	5	5	5
42	*302F931510	2F931510	GEAR FEED Z23HZ31H	1	1	1
43	*302F931520	2F931520	GEAR FEED Z25H	1	1	1
44	*302F931530	2F931530	GEAR FEED Z33H	1	1	1
45	*302F931540	2F931540	GEAR FEED Z31HZ24H	1	1	1
46	*302F931550	2F931550	GEAR FEED Z36HZ27H	1	1	1
47	*302F931560	2F931560	GEAR FEED Z26H Z22S	1	1	1
48	*302F931570	2F931570	PIN IDLE FEED A	3	3	3
49	*302F944060	2F944060	SOLENOID MPF	1	1	1

Ref. No.	Part.No.	Alternative.	Description	Quantity		
				110	230	240
50	*302F944200	2F944200	CLUTCH MID FEED	1	1	1
51	*302F944210	2F944210	CLUTCH CASSETTE	1	1	1
52	*302F944220	2F944220	CLUTCH REGIST	1	1	1
53	302J046070	2J046070	CONN. CORD ASSY S03454	1	1	1
54	302F946050	2F946050	CONN.CORD ASSY S03098	1	1	1
55	302F944040	2F944040	CLUTCH DUPLEX	1	1	1
56	7YCC02B1003+H01	YC013860	CONNECTOR 292254-2	1	1	1
57	7YCC02B1007+H01	YC014270	CONNECTOR	1	1	1
58	7YCC02B1111+H01	YC045130	CONNECTOR	1	1	1
59	7YBER0R0E001H01	YB045410	FERRITE CORE	1	1	1
101	7BB100306H1	BB105820	+BIND T.T S SCREW 3X6			
102	7BB200308H	BB105660	+BIND T.T P SCREW 3X8			
103	7BB000304H	BB105720	+BIND M SCREW 3X4			
104	C2806120	C2806120	POLYESTER SLIDER WASHER 6.2X12X0.5T			

- Parts with "*" are component parts or sub-assemblies of the assembly appearing immediately above them.
- Parts with "⊙" indicate regular maintenance parts.

- Parts with "••" are component parts or sub-assembly with "•" appearing immediately above them.

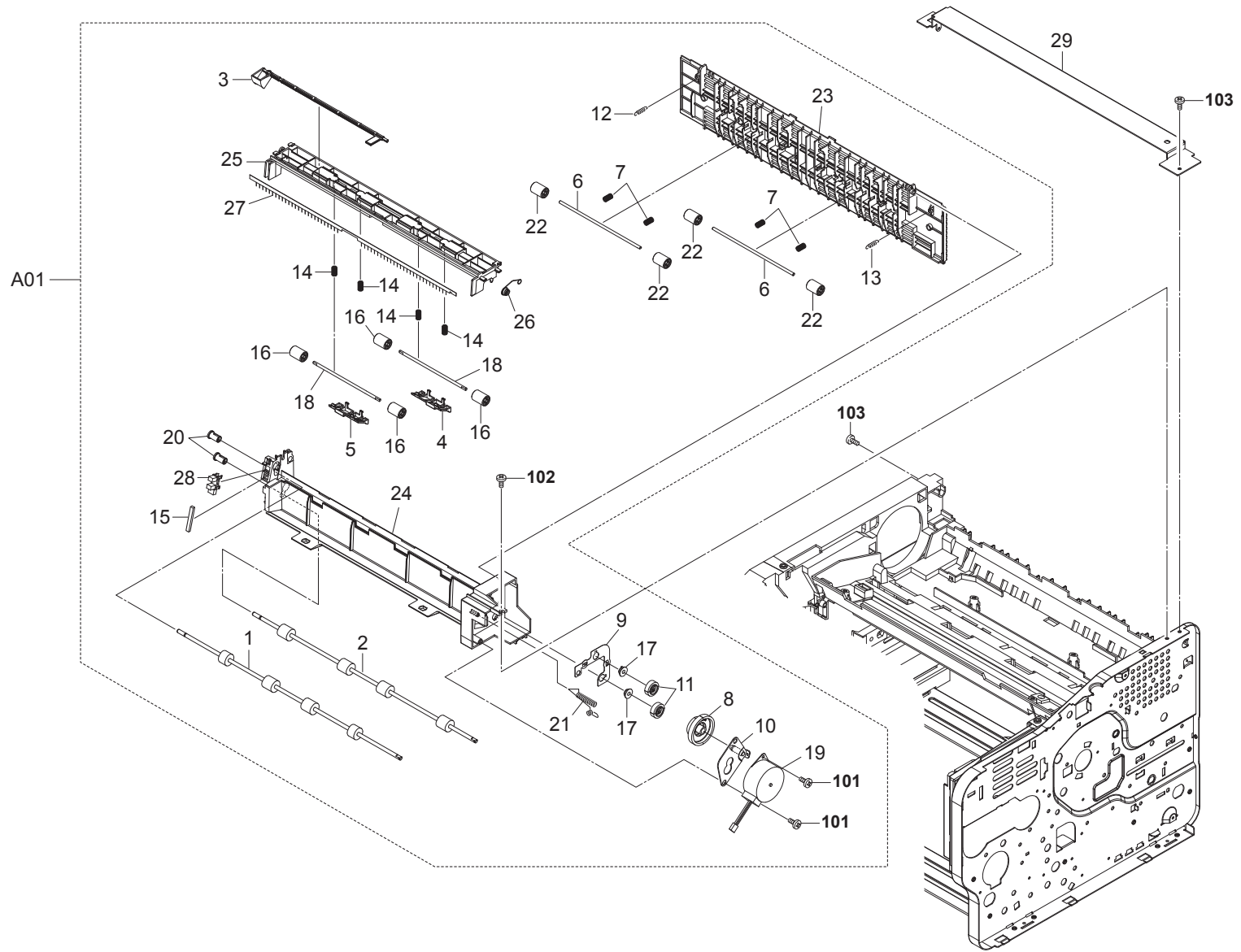


FIG. 14 Exit Section

2J5-1

Ref. No.	Part.No.	Alternative.	Description	Quantity		
				110	230	240
⊙ A01	302J594071	2J594071	FD ASSY SP	1	1	1
⊙ 1	*302F728030	2F728030	ROLLER FD UP	1	1	1
⊙ 2	*302F728040	2F728040	ROLLER FD LOW	1	1	1
⊙ 3	*302F728050	2F728050	ACTUATOR OVERFLOW	1	1	1
⊙ 4	*302F728110	2F728110	GUIDE CORRUGATION R	1	1	1
⊙ 5	*302F728120	2F728120	GUIDE CORRUGATION L	1	1	1
⊙ 6	*302F728130	2F728130	SHAFT EJECT PULLEY	2	2	2
⊙ 7	*302F728160	2F728160	SPRING PULLEY B	4	4	4
⊙ 8	*302F828030	2F828030	GEAR Z66HZ25H	1	1	1
⊙ 9	*302F828070	2F828070	EARTH PLATE EJECT	1	1	1
⊙ 10	*302F928040	2F928040	PLATE MOTOR	1	1	1
⊙ 11	*302F928060	2F928060	GEAR Z18H FD	2	2	2
⊙ 12	*302F928130	2F928130	SPRING COVER FD L	1	1	1
⊙ 13	*302F928140	2F928140	SPRING COVER FD R	1	1	1
⊙ 14	*302F928170	2F928170	SPRING PULLEY	4	4	4
⊙ 15	*302F928300	2F928300	SPONGE EXIT	1	1	1
⊙ 16	*302F929050	2F929050	PULLEY FEED DU	4	4	4
⊙ 17	*302F929140	2F929140	BUSH DU	2	2	2
⊙ 18	*302F929250	2F929250	SHAFT DU LOW	2	2	2
⊙ 19	*302F944130	2F944130	MOTOR EJECT	1	1	1
⊙ 20	*302FV02470	2FV02470	BUSH FD	2	2	2
⊙ 21	*302J028020	2J028020	SPRING EARTH A	1	1	1
⊙ 22	*302J029041	2J029041	PULLEY FEED DU	4	4	4
⊙ 23	*302J528010	2J528010	COVER FD	1	1	1
⊙ 24	*302J528020	2J528020	GUIDE VERTICAL	1	1	1
⊙ 25	*302J528030	2J528030	GUIDE EJECT	1	1	1
⊙ 26	*302J528040	2J528040	SPRING DISCHARGER	1	1	1
⊙ 27	*302J528050	2J528050	DISCHARGER FD	1	1	1
⊙ 28	*7NXTLP1255++H01	NX046610	SENSOR OPT.	1	1	1
⊙ 29	302F728100	2F728100	PLATE EJECT A3	1	1	1

Ref. No.	Part.No.	Alternative.	Description	Quantity		
				110	230	240
101	5MBSPP3006NW++R	B0B03060	PAN HEAD SCREW(+)/ M3 X 6 CRFREE			
102	7BB100408H1	BB105830	+BIND T.T S SCREW 4X8			
103	7BB100306H1	BB105820	+BIND T.T S SCREW 3X6			

- Parts with "*" are component parts or sub-assemblies of the assembly appearing immediately above them.
- Parts with "⊙" indicate regular maintenance parts.

- Parts with "••" are component parts or sub-assembly with "*" appearing immediately above them.

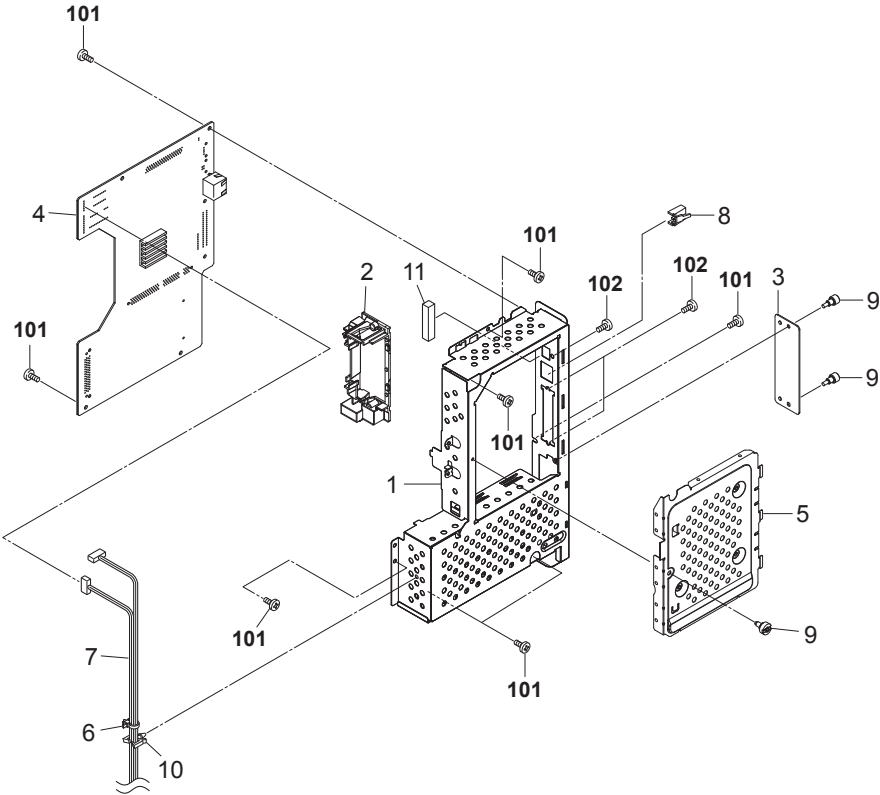


FIG. 15 Electrical Components

2J5-1

Ref. No.	Part.No.	Alternative.	Description	Quantity			
				110	230	240	
⊙ ⊙	1	302J139020	2J139020	BOX CONTROLLER	1	1	1
	2	302F939020	2F939020	GUIDE OPTION	1	1	1
	3	302F939070	2F939070	PLATE OPTION	1	1	1
	4	302J501100	2J501100	P.W.B.ASSY MAIN WITH SOFTWARE	1	1	1
	5	302F939031	2F939031	PLATE SHIELD	1	1	1
	6	7YZM420003++H01	YZ052580	ACCESS.BAND	1	1	1
	7	302J046050	2J046050	CONN. CORD ASSY S03452	1	1	1
	8	302F939090	2F939090	CAP NETWORK	1	1	1
	9	302F939081	2F939081	SCREW BOX	3	3	3
	10	M70AK010	M70AK010	WIRE SADDLE,RMS-1V0(TAKEUCHI)	1	1	1
	11	302F902470	2F902470	GASKET CONTBOX	1	1	1

Ref. No.	Part.No.	Alternative.	Description	Quantity		
				110	230	240
101	7BB100306H1	BB105820	+BIND T.T S SCREW 3X6			
102	5MBSPP3006NW++R	B0B03060	PAN HEAD SCREW(+)/ M3 X 6 CRFREE			

- Parts with "." are component parts or sub-assemblies of the assembly appearing immediately above them.
- Parts with "⊙" indicate regular maintenance parts.

- Parts with ".•" are component parts or sub-assembly with "." appearing immediately above them.

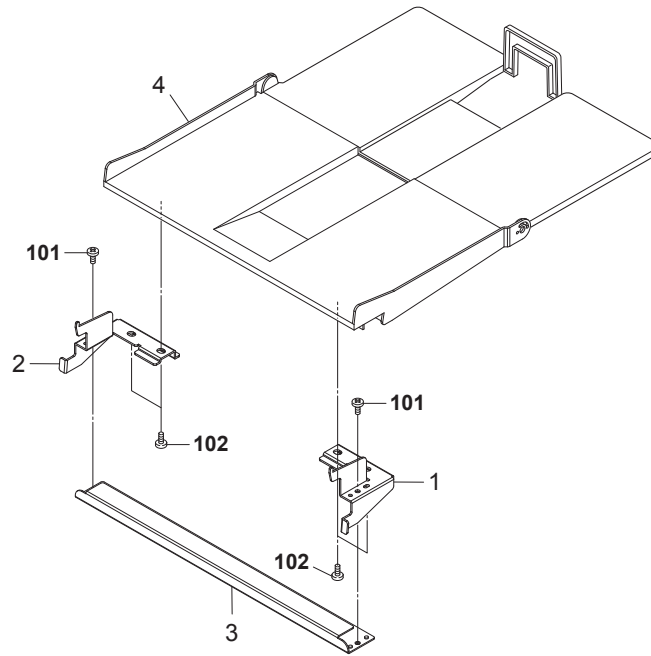


FIG. 16 PT-430

2J5-1

Ref. No.	Part.No.	Alternative.	Description	Quantity		
				110	230	240
1	303KW28010	3KW28010	PLATE HANGER R	1	1	1
2	303KW28020	3KW28020	PLATE HANGER L	1	1	1
3	303KW28030	3KW28030	PLATE HANGER C	1	1	1
4	5AAVTRAY+009	2DH00060	TRAY FU SUB ASSY /PT2 TRAY FU A3	1	1	1

Ref. No.	Part.No.	Alternative.	Description	Quantity		
				110	230	240
101	7BB100406H	BB106920	+BIND T.T S SCREW 4X6			
102	7BB200410H	BB105700	+BIND T.T P SCREW 4X10			

- Parts with "*" are component parts or sub-assemblies of the assembly appearing immediately above them.
- Parts with "⊙" indicate regular maintenance parts.

- Parts with ".•" are component parts or sub-assembly with "*" appearing immediately above them.

FIG. 17 Maintenance Kits

Ref. No.	Part.No.	Alternative.	Description	Quantity		
				110	230	240
	1702J5TTW0	072J5TTW	MK-450/MAINTENANCE KIT (OPTION) •DC BRUSH ASSY •ROLLER TRANSFER ASSY SP •FEED HOLDER ASSY •RETARD ROLLER ASSY •DK-450 •DV-454 (AO) •FK-450(TW)	1 1 1 1 1 1 1 1		
	1702J58EU0	072J58EU	MK-450/MAINTENANCE KIT (OPTION) •DC BRUSH ASSY •ROLLER TRANSFER ASSY SP •FEED HOLDER ASSY •RETARD ROLLER ASSY •DK-450 •DV-450 (E) •FK-450(E)		1 1 1 1 1 1 1 1	
	1702J58AS0	072J58AS	MK-450/MAINTENANCE KIT (OPTION) •DC BRUSH ASSY •ROLLER TRANSFER ASSY SP •FEED HOLDER ASSY •RETARD ROLLER ASSY •DK-450 •FK-450(E) •DV-454 (AO)			1 1 1 1 1 1 1 1

- Parts with "•" are component parts or sub-assemblies of the assembly appearing immediately above them.
- Parts with "⊙" indicate regular maintenance parts.

- Parts with "• •" are component parts or sub-assembly with "•" appearing immediately above them.

Part.No.	Alternative.	Description	Fig.No.
1702J58AS0	072J58AS	MK-450/MAINTENANCE KIT	17
1702J58EU0	072J58EU	MK-450/MAINTENANCE KIT	17
1702J5TTW0	072J5TTW	MK-450/MAINTENANCE KIT	17
2BC06510	2BC06510	BUSHING 8	6
2BC06910	2BC06910	STOPPER 6	6
2BC06980	2BC06980	STOPPER 5	6,13
2BG22960	2BG22960	BUSH 6	7
2BZ06090	5MVVL721WN65	LABEL DIAL /49845V0043 A4	4
2BZ06260	5MMW161LD054	SPRING SIDE GUIDE /49845V0009 A4	4
2BZ06270	5MMW251LD054	SPRING LOCK /A-95 5MMW251LD045 A4	4
2C906260	2C906260	SHEET ABSORBER	2
2C920320	2C920320	SEAL DISCHAGER	11
2C920330	2C920330	BEARING PRESSURE	11
2FM02180	5MVX221DN020	BUSH REGIST C /B-11 FRAME A3	6
2FM04150	5MVM163DN005	CAP SPRING /B-11 ENCLOSURE A4	12
302B700780	2B700780	GEAR MANUAL	5
302BM07410	2BM07410	GEAR GUIDE SIDE	4
302BS02680	2BS02680	HOLDER FEED M/P /43487B0026 A4	5
302BZ06420	2BZ06420	DIAL CASSETTE /29845V0022 A2	4
302BZ06430	2BZ06430	LOCK CAS BASE	4
302BZ06440	2BZ06440	LEVER SIDE GUIDE	4
302BZ06450	2BZ06450	LOCK BOTTOM	4
302F325010	2F325010	STUD SCREW M3	11
302F702010	2F702010	FRAME CENTER	2
302F702020	2F702020	PLATE BOTTOM	2
302F702030	2F702030	COVER GUIDE CASSETTE	2
302F702050	2F702050	SPACER CONTACT BIAS	3
302F702080	2F702080	FRAME RIGHT	2
302F704050	2F704050	SPONGE TOP TRAY	1
302F706011	2F706011	GUIDE FEED UP	7
302F706050	2F706050	SHAFT FEED R	7
302F708010	2F708010	GUIDE TURN MPF	5
302F708023	2F708023	FRAME MPF	5
302F708040	2F708040	TRAY MPF MID	5
302F708050	2F708050	TRAY MPF TOP	5
302F708061	2F708061	BASE MPF	5
302F708071	2F708071	GUIDE SIDE MPF R	5
302F708081	2F708081	GUIDE SIDE MPF L	5
302F708120	2F708120	SPRING BOTTOM MPF R	5
302F708170	2F708170	JOINT FEED MPF	5
302F708181	2F708181	ACTUATOR MPF	5
302F708230	2F708230	COVER FRONT MPF	5
302F708260	2F708260	PLATE EARTH BOTTOM	5
302F708280	2F708280	SHAFT FEED MPF	5
302F708290	2F708290	SPRING ACTUATOR MPF	5
302F708310	2F708310	SPRING LOCK MPF	5
302F709011	2F709011	BASE CASSETTE	4
302F709020	2F709020	BASE CASSETTE REAR	4
302F709030	2F709030	LID CASSETTE	4
302F709040	2F709040	CURSOR LEFT	4

Part.No.	Alternative.	Description	Fig.No.
302F709050	2F709050	CURSOR RIGHT	4
302F709070	2F709070	CURSOR END	4
302F709080	2F709080	LEVER END CURSOR	4
302F709091	2F709091	LEVER BOTTOM LOCK	4
302F709122	2F709122	LEVER INDICATOR	4
302F709140	2F709140	PLATE BOTTOM	4
302F709170	2F709170	SPRING EARTH BOTTOM	4
302F709190	2F709190	LABEL OPERATION	4
302F709201	2F709201	COVER CASSETTE TOP	4
302F709210	2F709210	GUIDE PAPER CASSETTE	4
302F712120	2F712120	COVER DRUM SHUTTER	2
302F724020	2F724020	ROLLER REGIST UP	6
302F724041	2F724041	SHAFT MID	6
302F724052	2F724052	FRAME FEED	6
302F724072	2F724072	GUIDE PAPER CHUTE	6
302F724090	2F724090	LEVER EMPTY	6
302F724100	2F724100	GUIDE EARTH	6
302F724120	2F724120	SPRING TC CHARGE	6
302F724150	2F724150	GEAR TC Z21H	6
302F724160	2F724160	SPRING MAIN CHARGE	6
302F724170	2F724170	SPRING BIAS CHARGE	6
302F724180	2F724180	PLATE HV	6
302F724190	2F724190	PLATE EARTH R	6
302F724211	2F724211	GUIDE REGIST UP	5
302F724230	2F724230	SPRING EARTH	6
302F724260	2F724260	SPRING REGIST C	6
302F724280	2F724280	SHAFT GUIDE	6
302F724300	2F724300	GUIDE FEED LOW	6
302F724310	2F724310	SHEET TC GUIDE	6
302F725016	2F725016	FRAME FUSER UP	11
302F725023	2F725023	FRAME FUSER LOW	11
302F725031	2F725031	GUIDE DU	12
302F725043	2F725043	GUIDE FACE UP	11
302F725070	2F725070	BUSH HEAT R	11
302F725080	2F725080	BUSH HEAT L	11
302F725091	2F725091	ACTUATOR EXIT	11
302F725100	2F725100	ACTUATOR DU	12
302F725114	2F725114	GUIDE EXIT UP	11
302F725161	2F725161	ROLLER EXIT	11
302F725170	2F725170	ROLLER FACE UP	12
302F725200	2F725200	HEATER LARGE E	11
302F725230	2F725230	HEATER SMALL E	11
302F725271	2F725271	GUIDE EXIT LOW	11
302F725312	2F725312	GUIDE FEED DU	11
302F725330	2F725330	GRAND PLATE HEAT ROLLER	11
302F725341	2F725341	LEVER FUSER RELEASE	12
302F725350	2F725350	PLATE RAIL FIX	12
302F725380	2F725380	PLATE PRESS	11
302F725401	2F725401	CAP SEPARATOR	11
302F725422	2F725422	COVER CORD	11

• Parts with "⊙" indicate regular maintenance parts.

	Part.No.	Alternative.	Description	Fig.No.		Part.No.	Alternative.	Description	Fig.No.
	302F725460	2F725460	PLATE SPRING FUSER	11		302F902260	2F902260	PLATE EARTH DRUM	3
	302F725470	2F725470	SPRING EARTH FUSER	11	⊙	302F902270	2F902270	CONTACT BIAS	3
	302F725480	2F725480	SHAFT EXIT	11		302F902280	2F902280	PLATE EARTH BOTTOM	3
	302F725490	2F725490	SPRING EARTH	11		302F902321	2F902321	PLATE EARTH FEED	3
	302F725500	2F725500	SHEET FUSER HEATER	11		302F902330	2F902330	PLATE HEAT SINK	3
	302F725510	2F725510	SPRING ACTUATOR EXIT	11		302F902340	2F902340	SHEET BIAS	3
⊙	302F725550	2F725550	HEATER LARGE 110V	11		302F902380	2F902380	COOLING DUCT LEFT A	2
⊙	302F725560	2F725560	HEATER SMALL 110V	11		302F902390	2F902390	PLATE EARTH RAIL	3
	302F725580	2F725580	SHEET COVER CORD	11		302F902402	2F902402	PLATE EARTH MAIN	3
	302F725590	2F725590	SHEET PRESS	11		302F902410	2F902410	SPRING EARTH FAN	3
⊙	302F728030	2F728030	ROLLER FD UP	14	⊙	302F902420	2F902420	LOCK COVER TOP R	2
⊙	302F728040	2F728040	ROLLER FD LOW	14	⊙	302F902430	2F902430	LOCK COVER TOP L	3
⊙	302F728050	2F728050	ACTUATOR OVERFLOW	14		302F902450	2F902450	SHEET WIRE	3
	302F728100	2F728100	PLATE EJECT A3	14		302F902460	2F902460	PLATE FAN MOTOR	3
	302F728110	2F728110	GUIDE CORRUGATION R	14		302F902470	2F902470	GASKET CONTBOX	15
	302F728120	2F728120	GUIDE CORRUGATION L	14		302F902490	2F902490	SHEET POWER PLATE	3
	302F728130	2F728130	SHAFT EJECT PULLEY	14		302F902500	2F902500	SPACER LOCK DRUM	9
	302F728160	2F728160	SPRING PULLEY B	14		302F904140	2F904140	HINGE SIDE	1
	302F729011	2F729011	BASE DU	8	⊙	302F904170	2F904170	SPONGE COVER TOP	1
	302F729021	2F729021	GUIDE DU LOW	8		302F906030	2F906030	GEAR FEED Z26H	7
⊙	302F729030	2F729030	ROLLER DU	8		302F906060	2F906060	HOLDER FEED	7
⊙	302F729040	2F729040	ACTUATOR PE	8		302F906110	2F906110	PIN FEED ROLL	7
⊙	302F729050	2F729050	LEVER PE RELEASE	3		302F906170	2F906170	JOINT PICKUP A	7
	302F729060	2F729060	SPRING PE RELEASE	3		302F906180	2F906180	JOINT PICKUP B	7
	302F746050	2F746050	CONN.CORD ASSY S03085	6		302F906190	2F906190	GUIDE FEED L	7
	302F746060	2F746060	CONN.CORD ASSY S03086	6		302F906200	2F906200	GUIDE FEED R	7
	302F746090	2F746090	CONN.CORD ASSY S03090	6		302F906230	2F906230	PULLEY FEED ASSY	7
	302F746160	2F746160	CONN.CORD ASSY S03123	6		302F906240	2F906240	PULLEY PICKUP ASSY	7
⊙	302F780100	2F780100	SWITCHING REGULATOR (E)	3		302F906272	2F906272	SHAFT FEED L	7
⊙	302F793063	2F793063	CT-440	4		302F906280	2F906280	GEAR FEED Z30H	7
⊙	302F794050	2F794050	DC BRUSH ASSY	6	⊙	302F908130	2F908130	GEAR MPF Z30	5
⊙	302F794060	2F794060	REGIST KIT	6		302F908150	2F908150	SP PULLEY TURN	5
⊙	302F794120	2F794120	ROLLER TRANSFER ASSY SP	6	⊙	302F908200	2F908200	LOCK COVER	5
	302F802010	2F802010	GUIDE CASSETTE	2		302F908220	2F908220	BKT CONNECTOR	5
	302F825080	2F825080	PLATE EARTH FUSER	11		302F908230	2F908230	SPRING EARTH CONNECTOR	5
⊙	302F828030	2F828030	GEAR Z66HZ25H	14		302F908240	2F908240	BRACKET BOTTOM	5
	302F828070	2F828070	EARTH PLATE EJECT	14		302F908270	2F908270	SP BOTTOM MPF L	5
	302F831060	2F831060	BUSH DRUM	13		302F908290	2F908290	SP SEPARATOR MPF	5
	302F846060	2F846060	CONN.CORD ASSY S03047	3		302F908300	2F908300	SPRING LOCK MPF	5
	302F846330	2F846330	CONN.CORD ASSY S03172	3		302F908310	2F908310	PAD FRICTION MPF	5
⊙	302F894042	2F894042	FEED HOLDER ASSY	7		302F908330	2F908330	SPRING LEVER LOCK R	5
	302F902011	2F902011	FRAME LEFT	2	⊙	302F908340	2F908340	LOCK DLP	5
	302F902060	2F902060	GUIDE DLP R	2		302F908380	2F908380	SP PULLEY FEED	5
	302F902070	2F902070	DUCT RIGHT FRAME	2	⊙	302F909170	2F909170	RETARD ROLLER ASSY	4
	302F902101	2F902101	PLATE POWER PWB	3		302F909180	2F909180	HOLDER RETARD	4
	302F902110	2F902110	SHEET POWER PWB	3		302F909191	2F909191	GUIDE RETARD	4
⊙	302F902160	2F902160	CONTACT MAIN	3		302F909200	2F909200	SPRING RETARD	4
	302F902220	2F902220	COOLING DUCT LEFT	2	⊙	302F909210	2F909210	PAD BOTTOM	4
	302F902240	2F902240	COVER WIRE A	3		302F909260	2F909260	MARKER INDICATOR	4
	302F902250	2F902250	MOUNT FAN MOTOR	3		302F909560	2F909560	SHEET CASSETTE	4

• Parts with "⊙" indicate regular maintenance parts.

	Part.No.	Alternative.	Description	Fig.No.		Part.No.	Alternative.	Description	Fig.No.
⊙	302F912320	2F912320	ARM DRUM SHUTTER	2	⊙	302F925460	2F925460	OUTER RAIL R	2
⊙	302F912330	2F912330	GEAR SHUTTER Z18S	2	⊙	302F925470	2F925470	OUTER RAIL L	3
⊙	302F912340	2F912340	GEAR SHUTTER Z16S	2	⊙	302F925480	2F925480	PULLEY RAIL DOUBLE	2,3
⊙	302F912350	2F912350	LID DRUM SHUTTER	2	⊙	302F925500	2F925500	PIN PULLEY	2
	302F912360	2F912360	SPRING SHUTTER ARM	2	⊙	302F925550	2F925550	LOCK FUSER	12
	302F912370	2F912370	SPRING SHUTTER L	2		302F925560	2F925560	SPRING LOCK	12
	302F914830	2F914830	GASKET DLP	12		302F925570	2F925570	BUSH EXIT	11
⊙	302F924150	2F924150	ACTUATOR REGIST	6		302F925750	2F925750	SPRING FUSER RELEASE	12
	302F924160	2F924160	BUSH REGIST	6		302F925780	2F925780	SPRING DU	12
	302F924190	2F924190	BUSH TRANSFER R	6		302F925800	2F925800	SPRING SEPARATOR	11
⊙	302F924220	2F924220	ACTUATOR DU	6		302F925830	2F925830	SHEET FUSER A	11
⊙	302F924240	2F924240	LEVER RELEASE FUSER R	6		302F925872	2F925872	SPRING RAIL SW	2
	302F924270	2F924270	SPRING REGIST SENSOR	6		302F925901	2F925901	CAP SPRING EXIT	11
	302F924400	2F924400	SPRING TC R	6		302F926060	2F926060	PULLEY SWITCH BACK	12
⊙	302F924430	2F924430	GEAR REGIST Z23H	6	⊙	302F926070	2F926070	PULLEY EXIT PFA	11
⊙	302F924460	2F924460	SPRING REGIST R	6		302F928040	2F928040	PLATE MOTOR	14
	302F924470	2F924470	PLATE ENGINE	6	⊙	302F928060	2F928060	GEAR Z18H FD	14
⊙	302F924480	2F924480	LEVER RELEASE DLP L	6		302F928130	2F928130	SPRING COVER FD L	14
⊙	302F924490	2F924490	LEVER RELEASE DLP R	6		302F928140	2F928140	SPRING COVER FD R	14
	302F924500	2F924500	GUIDE CABLE L	6		302F928170	2F928170	SPRING PULLEY	14
	302F924510	2F924510	GUIDE CABLE R	6		302F928300	2F928300	SPONGE EXIT	14
	302F924520	2F924520	SP RELEASE TC L	6	⊙	302F929050	2F929050	PULLEY FEED DU	5,14
	302F924570	2F924570	PLATE HIGH MEG EARTH	6		302F929060	2F929060	SHAFT FEED DU	5,12
	302F924580	2F924580	PLATE EARTH M	6		302F929070	2F929070	SPRING PULLEY FEED	8
	302F924590	2F924590	PLATE SEP CHARGE	6		302F929080	2F929080	SPRING PE RELEASE	8
	302F924600	2F924600	PLATE TC CHARGE	6		302F929090	2F929090	WIRE LIFT DU	8
⊙	302F924642	2F924642	ROLLER MIDDLE ASSY	6	⊙	302F929100	2F929100	PULLEY P25 DU	8
	302F924651	2F924651	PLATE HV L	6	⊙	302F929110	2F929110	GEAR Z18S-P25	8
	302F924660	2F924660	PLATE HV R	6	⊙	302F929120	2F929120	BELT DU	8
⊙	302F924700	2F924700	GEAR REG Z26H-Z33H	6		302F929140	2F929140	BUSH DU	8,11,12,14
	302F924720	2F924720	SHEET INSULATOR	6	⊙	302F929151	2F929151	LEVER LIFT DU L	8
	302F924730	2F924730	PLATE EARTH ENGINE L	6	⊙	302F929160	2F929160	LEVER LIFT DU R	8
	302F924741	2F924741	PLATE EARTH ENGINE R	6		302F929170	2F929170	SPRING DU LIFT	8
	302F924760	2F924760	PULLEY GUIDE	6		302F929180	2F929180	HOLDER DU PULLEY	8
	302F924780	2F924780	SPONGE REGIST	6		302F929191	2F929191	BUSH PE	8
	302F924790	2F924790	LABEL OPERATION	5	⊙	302F929200	2F929200	LEVER DU RELEASE	8
	302F924830	2F924830	BUSH TRANSFER L	6		302F929220	2F929220	PLATE EARTH DU	8
⊙	302F925060	2F925060	ACTUATOR SOL	11		302F929250	2F929250	SHAFT DU LOW	8,14
⊙	302F925090	2F925090	GEAR INPUT	11		302F929260	2F929260	PULLEY DU LOW	8
⊙	302F925100	2F925100	GEAR HEAT Z46	11		302F929270	2F929270	SEAL HOLDER	8
⊙	302F925130	2F925130	GEAR IDLE Z36	11		302F929280	2F929280	SEAL HOLDER B	8
⊙	302F925141	2F925141	GEAR EXIT Z21	11,12	⊙	302F931020	2F931020	GEAR Z77H	13
	302F925160	2F925160	PULLEY FACE UP	12	⊙	302F931030	2F931030	GEAR Z70H	13
	302F925250	2F925250	PLATE EARTH EXIT	11	⊙	302F931040	2F931040	GEAR Z90H Z30H	13
	302F925260	2F925260	PLATE EARTH FACE UP	12	⊙	302F931050	2F931050	GEAR Z48H	13
	302F925340	2F925340	SPRING EXIT	11	⊙	302F931060	2F931060	GEAR Z46H	13
	302F925350	2F925350	SPRING FACE UP	12	⊙	302F931070	2F931070	GEAR Z37S	13
	302F925371	2F925371	SPRING ACTUATOR DU	12	⊙	302F931080	2F931080	GEAR Z45S	13
⊙	302F925440	2F925440	INNER RAIL R	12	⊙	302F931090	2F931090	GEAR Z30S	13
⊙	302F925450	2F925450	INNER RAIL L	12	⊙	302F931100	2F931100	GEAR Z34S	13

• Parts with "⊙" indicate regular maintenance parts.

	Part.No.	Alternative.	Description	Fig.No.		Part.No.	Alternative.	Description	Fig.No.
⊙	302F931110	2F931110	GEAR Z95H Z28H	13	⊙	302F944200	2F944200	CLUTCH MID FEED	13
⊙	302F931130	2F931130	GEAR REGIST Z28H	13	⊙	302F944210	2F944210	CLUTCH CASSETTE	13
⊙	302F931160	2F931160	GEAR FEED CLUTCH Z23H	13	⊙	302F944220	2F944220	CLUTCH REGIST	13
⊙	302F931180	2F931180	GEAR MPF Z37S	13	⊙	302F946050	2F946050	CONN.CORD ASSY S03098	13
⊙	302F931190	2F931190	GEAR DLP Z31H	2	⊙	302F994031	2F994031	FEED DRIVE ASSY SP	13
⊙	302F931200	2F931200	GEAR DLP Z32H	13	⊙	302F994070	2F994070	SEPARATOR MP ASSY	5
	302F931221	2F931221	HOUSING FEED DRIVE B	13	⊙	302F994091	2F994091	WASTE BOTTLE ASSY	9
⊙	302F931230	2F931230	HOLDER DLP CLUTCH	2	⊙	302F994100	2F994100	EMBLEM ASSY	5
	302F931251	2F931251	SHAFT REGIST	13	⊙	302FP25110	2FP25110	THERMOSTAT 250V 170C	11
	302F931261	2F931261	SHAFT MID FEED	13	⊙	302FT20120	2FT20120	SEPARATOR ASSY	11
	302F931270	2F931270	SPRING FUSER	13		302FV02470	2FV02470	BUSH FD	12,14
⊙	302F931290	2F931290	GEAR DLP Z24H	13		302FV14500	2FV14500	LABEL GUIDE DLP	2
⊙	302F931300	2F931300	GEAR DLP JOINT Z25H	13		302FV45020	2FV45020	AC CORD ASSY	3
⊙	302F931310	2F931310	GEAR DLP Z25H	13		302FV45040	2FV45040	AC CORD ASSY	3
⊙	302F931320	2F931320	HOLDER DU	13	⊙	302G380062	2G380062	SWITCHING REGULATOR (J)	3
	302F931340	2F931340	SHAFT CASSETTE	13	⊙	302G634070	2G634070	LABEL ENERGY STAR	5
	302F931350	2F931350	JOINT SHAFT CASSETTE	13	⊙	302GJ25560	2GJ25560	THERMISTOR FUSER	11
⊙	302F931360	2F931360	LEVER MPF LIFT	13		302H024370	2H024370	BUSH 6 EW	6
⊙	302F931371	2F931371	CAM MPF LIFT	13		302H024830	2H024830	BUSH 8	6
	302F931381	2F931381	SPRING MPF CAM	13		302H702590	2H702590	BUSH SCREW	6
⊙	302F931430	2F931430	GEAR FEED ROLL Z27H	6		302HN28210	2HN28210	DISCHARGER FD	7
	302F931450	2F931450	SPRING FEED	13		302HS25220	2HS25220	BUSH FUSER	8
	302F931460	2F931460	PIN IDLE FEED	13	⊙	302HS25250	2HS25250	GEAR Z29S FUSER	11
	302F931480	2F931480	PLATE FEED DRIVE	13		302HW24040	2HW24040	DISCHARGER FEED	12
	302F931490	2F931490	BUSH FEED DRIVE	6,13	⊙	302J002010	2J002010	FOOT	2,3
⊙	302F931500	2F931500	GEAR FEED Z34H	13		302J002051	2J002051	BRACKET USB	2
⊙	302F931510	2F931510	GEAR FEED Z23HZ31H	13		302J002090	2J002090	SEAL FRAME DRUM B	3
⊙	302F931520	2F931520	GEAR FEED Z25H	13		302J002100	2J002100	SHEET GUIDE	2
⊙	302F931530	2F931530	GEAR FEED Z33H	13		302J002120	2J002120	SEAL FRAME DRUM D	3
⊙	302F931540	2F931540	GEAR FEED Z31HZ24H	13	⊙	302J004081	2J004081	COVER RIGHT	1
⊙	302F931550	2F931550	GEAR FEED Z36HZ27H	13	⊙	302J004090	2J004090	COVER CONTROLLER	1
⊙	302F931560	2F931560	GEAR FEED Z26H Z22S	13	⊙	302J004100	2J004100	COVER CABLE	1
	302F931570	2F931570	PIN IDLE FEED A	13		302J004110	2J004110	SPONGE A FAN L 80	1
⊙	302F931590	2F931590	GEAR Z191H	13		302J004120	2J004120	SPONGE B FAN L 80	1
⊙	302F931600	2F931600	CLUTCH DLP	2		302J004130	2J004130	SEAL COVER LEFT	1
	302F934020	2F934020	LABEL FUSER OPERATION	11		302J005140	2J005140	LABEL LED SHEET	1
	302F934100	2F934100	LABEL INSTALL DLP	1		302J008050	2J008050	SPRING LEVER LOCK L	5
	302F934120	2F934120	LABEL INSTALL DLP	1		302J024020	2J024020	SPRING SEP CHARGE	6
	302F939020	2F939020	GUIDE OPTION	15		302J024070	2J024070	SHEET PLATE EARTH R	6
	302F939031	2F939031	PLATE SHIELD	15		302J028020	2J028020	SPRING EARTH A	14
⊙	302F939070	2F939070	PLATE OPTION	15	⊙	302J029020	2J029020	SPRING EARTH DU	8
	302F939081	2F939081	SCREW BOX	15		302J029041	2J029041	PULLEY FEED DU	14
	302F939090	2F939090	CAP NETWORK	15		302J034050	2J034050	LABEL PUSH	12
⊙	302F944040	2F944040	CLUTCH DUPLEX	13		302J034170	2J034170	LABEL PUSH(TW)	12
⊙	302F944060	2F944060	SOLENOID MPF	13	⊙	302J044030	2J044030	FAN ENGINE PWB 35	6
⊙	302F944071	2F944071	SOLENOID DLP	2	⊙	302J044040	2J044040	FAN R 80	2
⊙	302F944090	2F944090	SOLENOID ASSY	11	⊙	302J044070	2J044070	FAN MOTOR	2
⊙	302F944130	2F944130	MOTOR EJECT	14		302J046010	2J046010	CONN. CORD ASSY S03448	2
⊙	302F944150	2F944150	FAN L 80	3		302J046020	2J046020	CONN. CORD ASSY S03449	3
⊙	302F944160	2F944160	FAN POWER PWB 50	3		302J046030	2J046030	CONN. CORD ASSY S03450	5

• Parts with "⊙" indicate regular maintenance parts.

	Part.No.	Alternative.	Description	Fig.No.		Part.No.	Alternative.	Description	Fig.No.
	302J046050	2J046050	CONN. CORD ASSY S03452	15		302J546120	2J546120	CONN. CORD ASSY S03492	11
	302J046070	2J046070	CONN. CORD ASSY S03454	13		302J546140	2J546140	CONN. CORD ASSY S03496	11
	302J046080	2J046080	CONN. CORD ASSY S03455	3		302J546150	2J546150	CONN. CORD ASSY S03530	6
	302J046120	2J046120	CONN. CORD ASSY S03459	13		302J546160	2J546160	CONN. CORD ASSY S03531	11
	302J046250	2J046250	CONN. CORD ASSY S03497	2		302J546170	2J546170	CONN. CORD ASSY S03532	11
	302J046320	2J046320	CONN. CORD ASSY S03525	3	⊙	302J580010	2J580010	P.W.B ASSY ENGINE WITH SOFTWARE (SP)	6
	302J046340	2J046340	CONN. CORD ASSY S03528	3	⊙	302J593011	2J593011	DK-450	9
⊙	302J094130	2J094130	COVER LEFT ASSY	1	⊙	302J593020	2J593020	DV-450 (E)	10
⊙	302J094150	2J094150	COVER SIDE ASSY	1	⊙	302J593030	2J593030	DV-454 (AO)	10
⊙	302J094170	2J094170	PARTS INLET ASSY SP	3	⊙	302J593040	2J593040	LK-450	2
⊙	302J101040	2J101040	P.W.BOARD ASSY CONNECT-L	3	⊙	302J593050	2J593050	FK-450(E)	11
⊙	302J125020	2J125020	THERMISTOR ASSY	11	⊙	302J593061	2J593061	MC-450	9
	302J139020	2J139020	BOX CONTROLLER	15	⊙	302J593090	2J593090	FK-450(TW)	11
⊙	302J501060	2J501060	P.W.BOARD ASSY CONNECT-R	13	⊙	302J594010	2J594010	LID TOP ASSY SP	1
⊙	302J501100	2J501100	P.W.B.ASSY MAIN WITH SOFTWARE	15	⊙	302J594020	2J594020	KEY BOARD ASSY SP	1
	302J502010	2J502010	BRACKET FAN	2	⊙	302J594030	2J594030	COVER REAR ASSY	12
	302J502020	2J502020	SHEET FRAME CENTER	2	⊙	302J594040	2J594040	COVER TOP ASSY	1
	302J502030	2J502030	SHEET L	2	⊙	302J594050	2J594050	BASE MPF ASSY	5
⊙	302J504030	2J504030	LID TOP B	1	⊙	302J594060	2J594060	DU ASSY SP	8
⊙	302J504050	2J504050	STOPPER FD	1	⊙	302J594071	2J594071	FD ASSY SP	14
⊙	302J508010	2J508010	COVER MPF	5	⊙	302J594080	2J594080	KEY BOARD ASSY(TW) SP	1
	302J508020	2J508020	PLATE BOTTOM MPF	5	⊙	302J594100	2J594100	LID TOP ASSY SP(ASIA)	1
⊙	302J509020	2J509020	SPRING BOTTOM	4	⊙	302J594130	2J594130	COVER REAR ASSY(TW)	12
	302J524010	2J524010	COVER PWB FEED	6		302J624010	2J624010	SPRING TC R 10	6
	302J524060	2J524060	SHEET REG BUSH	6		302J624030	2J624030	SPRING RELEASE DLP	6
	302J525020	2J525020	SPRING PRESS	11		302J624040	2J624040	SPRING RELEASE FUSER	6
⊙	302J525030	2J525030	ROLLER HEAT	11		303KW28010	3KW28010	PLATE HANGER R	16
⊙	302J525040	2J525040	ROLLER PRESS	11		303KW28020	3KW28020	PLATE HANGER L	16
	302J525101	2J525101	PLATE CORD	11		303KW28030	3KW28030	PLATE HANGER C	16
	302J525110	2J525110	PLATE BUSH L	11		3065027601	65027601	POWER CORD 110	3
	302J525120	2J525120	SHEET DISCHARGER	11		3CZ02230	3CZ02230	PIN,HOOK FULCRUM	2,3
	302J525130	2J525130	DISCHARGER FUSER	11	⊙	5AAVR0LL+051	2CL16130	ROLLER M/P ASSY /43487B0027 A4	5
	302J525140	2J525140	PLATE EARTH PRESS	11		5AAVTRAY+009	2DH00060	TRAY FU SUB ASSY /PT2 TRAY FU A3	16
	302J525150	2J525150	SHEET PROTECTION A	11	⊙	5FSP03090001+01	SPOA0360	PUSH SWITCH 03 SN /SW-192 N	3
	302J525160	2J525160	SHEET SHAFT FUSER	11		5MMS111SL002	2BY20050	NUT FUSER A /FS-1800/3800 A4	11
⊙	302J528010	2J528010	COVER FD	14		5MMW151SD003	2BS06100	SPRING END /3070P319 A4	4
	302J528020	2J528020	GUIDE VERTICAL	14		5MMW261LJ032	2BM21060	SPRING SOL /Q1007 A4	11
	302J528030	2J528030	GUIDE EJECT	14		5MVM111RB006	2FM02570	RUBBER PIN B-11	11
	302J528040	2J528040	SPRING DISCHARGER	14		5MVVL611WN06	2FV20100	LABEL FUSER CAUTION	3,11
⊙	302J528050	2J528050	DISCHARGER FD	14		5MVX111DN002	3B706590	BUSH SP PULLEY /40283V0099 A4	5
	302J529020	2J529020	SHEET DU ROLL	8		5MVX111DN003	2A806250	RING STOPPER /A-49 FEED A4	7
	302J531010	2J531010	PLATE DRIVE E	13		5MVX111DN007	2BT11070	STOPPER 3 /2BT1107 A4	8
⊙	302J531020	2J531020	MOTOR MAIN Z11	13	⊙	7NXTLP1255++H01	NX046610	SENSOR OPT.	11,14
⊙	302J531030	2J531030	MOTOR DRUM Z11	13		7RHA2H10701+H01	RH043740	M.GLAZE R. 100MJ 1/2W	6
	302J534010	2J534010	LABEL JAM OPERATION	1	⊙	7SP01000001+H01	SP044290	SW.PUSH	2
	302J546020	2J546020	CONN. CORD ASSY S03483	6		7YBCL0L0A001H01	YB114560	FERRITE CORE	3
	302J546030	2J546030	CONN. CORD ASSY S03484	6		7YBEJ0J0D001H01	YB045400	FERRITE CORE	1
	302J546040	2J546040	CONN. CORD ASSY S03485	6		7YBER0R0E001H01	YB045410	FERRITE CORE	13
	302J546050	2J546050	CONN. CORD ASSY S03486	6		7YCC02B1003+H01	YC013860	CONNECTOR 292254-2	13
	302J546060	2J546060	CONN. CORD ASSY S03487	6		7YCC02B1007+H01	YC014270	CONNECTOR	13

• Parts with "⊙" indicate regular maintenance parts.

	Part.No.	Alternative.	Description	Fig.No.
	7YCC02B1111+H01	YC045130	CONNECTOR	13
	7YZM420003++H01	YZ052580	ACCESS.BAND	1,6,15
	7YZM610021++H01	YZ068620	ACCESS.SADDLE	2
	M26AH010	M26AH010	BAND,PLT1M-76(PANDUIT)	11
	M70AK010	M70AK010	WIRE SADDLE,RMS-1V0(TAKEUCHI)	15

• Parts with "☉" indicate regular maintenance parts.

KYOCERA MITA EUROPE B.V.

Hoeksteen 40, 2132 MS Hoofddorp,
The Netherlands
Phone: +31.20.654.0000
Home page: <http://www.kyoceramita-europe.com>
Email: info@kyoceramita-europe.com

KYOCERA MITA NEDERLAND B.V.
Beechavenue 25, 1119RA Schiphol-Rijk
The Netherlands
Phone: +31.20.58.77.200

KYOCERA MITA (UK) LTD
8 Beacontree Plaza
Gillette Way Reading Berks RG2 0BS,
U.K.
Phone: +44.1189.311.500

KYOCERA MITA ITALIA S.p.A.
Via G. Verdi, 89 / 91, 20063 Cernusco s/N
Milano, Italy
Phone: +39.02.92179.1

S.A. KYOCERA MITA BELGIUM N.V.
Hermesstraat 8A, 1930 Zaventem,
Belgium
Phone: +32.2.720.9270

KYOCERA MITA FRANCE S.A.
Parc Les Algorithmes Saint Aubin
91194 GIF-SUR-YVETTE,
France
Phone: +33.1.6985.2600

KYOCERA MITA ESPAÑA S.A.
Edificio Kyocera, Avda de Manacor No. 2,
28290 Las Matas (Madrid),
Spain
Phone: +34.91.631.8392

KYOCERA MITA FINLAND OY
Kirvesmiehenkatu 4, 00880 Helsinki,
Finland
Phone: +358.9.4780.5200

KYOCERA MITA (SCHWEIZ)
Hohlstrasse 614, 8048 Zürich
Switzerland
Phone: +41.1.908.4949

KYOCERA MITA DEUTSCHLAND GMBH
Otto-Hahn-Str. 12 D-40670 Meerbusch,
Germany
Phone: +49.2159.918.0

KYOCERA MITA GMBH AUSTRIA
Eduard-Kittenberger-Gasse 95,
1230 Wien,
Austria
Phone: +43.1.86338.210

KYOCERA MITA SVENSKA AB
Esbogatan 16B 164 75 Kista,
Sweden
Phone: +46.8.546.55000

KYOCERA MITA NORGE
Postboks 150 Oppsal, NO 0619 Oslo
Olaf Helsetsvai 6, NO 0694 Oslo,
Norway
Phone: +47.22.62.73.00

KYOCERA MITA DANMARK A/S
Ejby Industrivej 1, DK-2600 Glostrup,
Denmark
Phone: +45.5687.1100

KYOCERA MITA PORTUGAL LDA.
Rua do Centro Cultural, 41 (Alvalade) 1700-106 Lisbon,
Portugal
Phone: +351.21.842.9100

KYOCERA MITA SOUTH AFRICA (PTY) LTD.
527 Kyalami Boulevard,
Kyalami Business Park Midrand,
South Africa
Phone: +27.(0)11.540.2600

KYOCERA MITA AMERICA, INC.

Headquarters:
225 Sand Road,
Fairfield, New Jersey 07004-0008,
U.S.A.
Phone: (973) 808-8444

KYOCERA MITA AUSTRALIA PTY. LTD.
Level 3, 6-10 Talavera Road, North Ryde,
N.S.W. 2113 Australia
Phone: (02) 9888-9999

KYOCERA MITA NEW ZEALAND LTD.
1-3 Parkhead Place, Albany
P.O. Box 302 125 NHPC, Auckland,
New Zealand
Phone: (09) 415-4517

KYOCERA MITA (THAILAND) CORP., LTD.
9/209 Ratchada-Prachachem Road,
Bang Sue, Bangkok 10800, Thailand
Phone: (02) 586-0320

KYOCERA MITA SINGAPORE PTE LTD.
121 Genting Lane, 3rd Level,
Singapore 349572
Phone: 67418733

KYOCERA MITA HONG KONG LIMITED
11/F., Mita Centre,
552-566, Castle Peak Road,
Tsuen Wan, New Territories,
Hong Kong
Phone: 24297422

KYOCERA MITA TAIWAN Corporation.
7F-1~2, No.41, Lane 221, Gangchi Rd.
Neihu District, Taipei, Taiwan, 114. R.O.C.
Phone: (02) 87511560

KYOCERA MITA Corporation

2-28, 1-chome, Tamatsukuri, Chuo-ku
Osaka 540-8585, Japan
Phone: (06) 6764-3555
<http://www.kyoceramita.com>